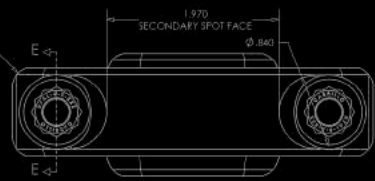
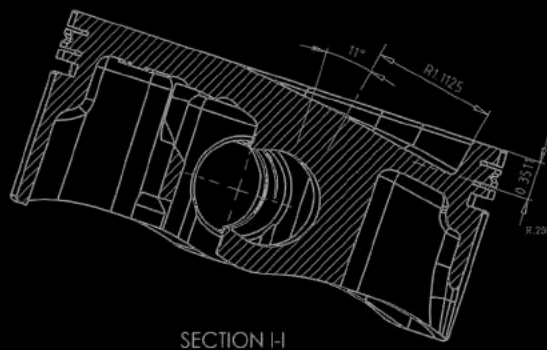
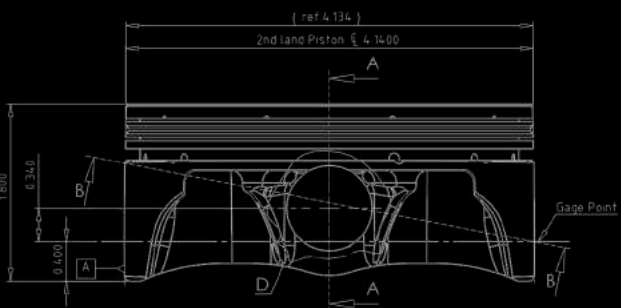
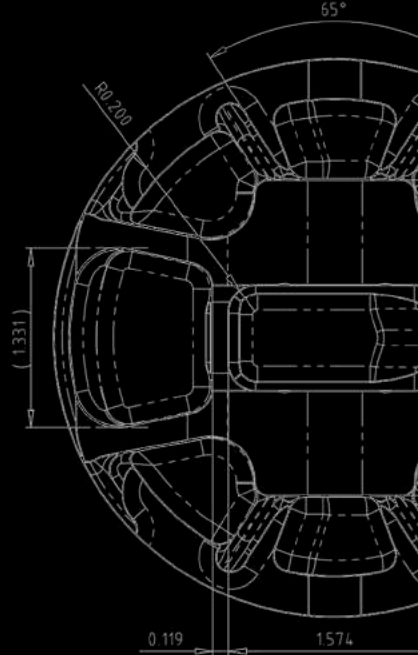
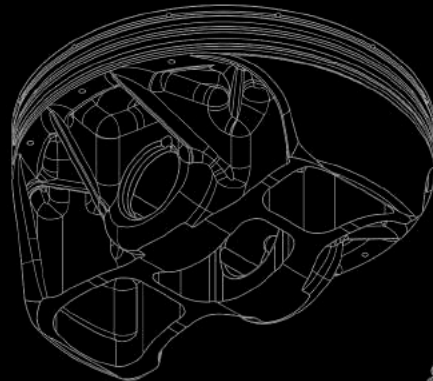
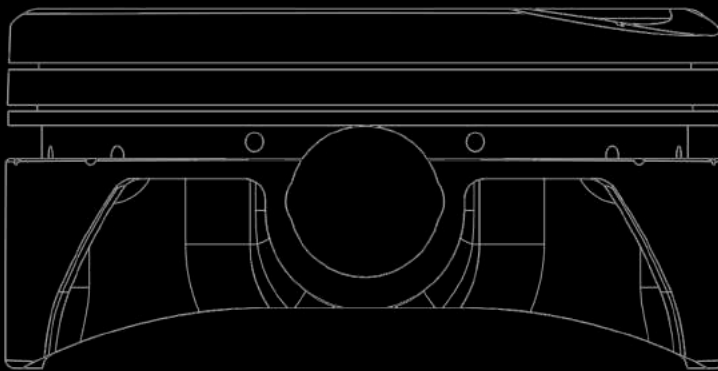


SECTION H-H

# ARIAS

PISTONS



## SPORT COMPACT CATALOG

PISTONS - CONNECTING RODS - PINS - RINGS -



- FASTENERS - LOCKS - GASKETS - BEARINGS

# ARIAS PISTONS

Irvine, California - November 3, 2017 – CP-Carrillo, Inc. and Arias Industries, Inc., a high performance pistons manufacturer, jointly announced today that CP-Carrillo will acquire the Arias Pistons brand name, trademark and relocate their piston production to CP-Carrillo's main manufacturing facility in Irvine.

In 1969, Nick Arias Jr. and Carmen Arias started Arias Pistons as a small family owned business in Gardena, California. "With minimal staff and equipment, our parents began a journey that produced leading-edge and highly innovative products and most importantly, new client relations that the family still cherish today. Faced with the current industry consolidation, we have found in CP-Carrillo a strong partner to continue our mission to bring the highest quality, experience, performance and innovation to our customers," said Nick Arias III, son of Carmen and the late Nick Arias, Jr.

*"Arias Pistons has endured the test of time, created a legendary history and we are beyond excited to continue this legacy. Both companies strive to provide the best internal engine components to the customer; and combining the Arias product offering with our high-volume manufacturing capabilities is taking it to the next level."*

*– Barry Calvert, CEO - CP-Carrillo*



# SPORT COMPACT CATALOG

## ACURA B16A 1.6L DOHC

Stock Bore: 3.189/81 \* Stroke: 3.047 \* Rod: 5.290

PIN 827X2350 SPIRO LOCKS

| Bore:<br>Inch/mm         | Comp.<br>Height | Dome<br>CC | Comp.<br>B16A<br>42.7cc | Comp.<br>GSR<br>41.6cc | Gram<br>Weight | Part #  | Rings<br>Included |
|--------------------------|-----------------|------------|-------------------------|------------------------|----------------|---------|-------------------|
| <b>Inverted dome top</b> |                 |            |                         | <b>Turbo/Nitrous</b>   |                |         |                   |
| 3.189 / 81.00            | 1.180           | -9.4       | 8.10                    | 8.40                   | 271            | 3320012 | 1212303189        |
| 3.192 / 81.06            | 1.180           | -7.9       | 8.30                    | 8.40                   | 272            | 3320001 | 1515403190        |
| 3.209 / 81.50            | 1.180           | -8.0       | 8.30                    | 8.50                   | 273            | 3320203 | 1212303209        |
| 3.228 / 82.00            | 1.180           | -8.0       | 8.40                    | 8.60                   | 289            | 3320221 | 1212303228        |
| 3.268 / 83.00            | 1.180           | -8.7       | 8.50                    | 8.60                   | 289            | 3320701 | 1212303268        |
| 3.307 / 84.00            | 1.180           | -11.8      | 8.20                    | 8.40                   | 297            | 3320801 | 1212303307        |
| 3.327 / 84.50            | 1.180           | -11.8      | 8.30                    | 8.50                   | 298            | 3320901 | 1212303327        |
| 3.346 / 85.00            | 1.180           | -9.6       | 8.70                    | 8.80                   | 310            | 3320751 | 1212303346        |
| 3.366 / 85.50            | 1.180           | -9.6       | 8.70                    | 8.80                   | TBD            | 3320780 | 1212303366        |
| <b>Spherical dish</b>    |                 |            |                         |                        |                |         |                   |
| 3.307 / 84.00            | 1.180           | -5.5       | 9.10                    | 9.28                   | 304            | 3370000 | 1212303307        |
| 3.327 / 84.50            | 1.180           | -5.5       | 9.20                    | 9.38                   | 312            | 3370020 | 1212303327        |
| 3.346 / 85.00            | 1.180           | -5.5       | 9.30                    | 9.45                   | 317            | 3370040 | 1212303346        |
| <b>Flat top</b>          |                 |            |                         |                        |                |         |                   |
| 3.189 / 81.00            | 1.180           | -3.0       | 9.00                    | 9.20                   | 262            | 3310212 | 1212303189        |
| 3.192 / 81.08            | 1.180           | -2.3       | 9.00                    | 9.20                   | 262            | 3310201 | 1515403190        |
| 3.209 / 81.50            | 1.180           | -3.0       | 9.10                    | 9.20                   | 271            | 3310404 | 1212303209        |
| 3.228 / 82.00            | 1.180           | -3.0       | 9.20                    | 9.30                   | 286            | 3310220 | 1212303228        |
| 3.268 / 83.00            | 1.180           | -3.0       | 9.30                    | 9.50                   | 293            | 3310503 | 1212303268        |
| 3.307 / 84.00            | 1.180           | -3.0       | 9.50                    | 9.70                   | 295            | 3310001 | 1212303307        |
| 3.327 / 84.50            | 1.180           | -3.0       | 9.60                    | 9.80                   | 305            | 3310101 | 1212303327        |
| 3.346 / 85.00            | 1.180           | -3.0       | 9.70                    | 9.90                   | 302            | 3310151 | 1212303346        |
| 3.366 / 85.50            | 1.180           | -3.0       | 9.70                    | 9.90                   | TBD            | 3310780 | 1212303366        |
| 3.386 / 86.00            | 1.180           | -3.0       | 9.90                    | 10.10                  | 307            | 3310800 | 1212303386        |
| <b>Dome Top</b>          |                 |            |                         | <b>All Motor</b>       |                |         |                   |
| 3.189 / 81.00            | 1.180           | 5.6        | 10.80                   | 11.10                  | 275            | 3330221 | 1012283189        |
| 3.189 / 81.00            | 1.180           | 6.9        | 11.10                   | 11.40                  | 278            | 3330211 | 1012283189        |
| 3.192 / 81.08            | 1.180           | 8.9        | 11.70                   | 12.00                  | 278            | 3330200 | 1515403190        |
| 3.209 / 81.50            | 1.180           | 4.2        | 10.60                   | 10.80                  | 281            | 3330411 | 1012283209        |
| 3.209 / 81.50            | 1.180           | 6.9        | 11.20                   | 11.50                  | 283            | 3330402 | 1012283209        |
| 3.228 / 82.00            | 1.180           | 6.6        | 11.30                   | 11.60                  | 286            | 3330420 | 1012283228        |
| 3.307 / 84.00            | 1.180           | 0.5        | 10.00                   | 10.30                  | 313            | 3330490 | 1012283307        |
| 3.307 / 84.00            | 1.180           | 4.3        | 11.05                   | 11.35                  | 302            | 3330511 | 1012283307        |
| 3.307 / 84.00            | 1.180           | 7.3        | 11.90                   | 12.20                  | 303            | 3330520 | 1012283307        |
| 3.327 / 84.50            | 1.180           | 0.5        | 10.74                   | 11.00                  | 314            | 3330590 | 1012283327        |
| 3.327 / 84.50            | 1.180           | 4.3        | 11.20                   | 11.50                  | 302            | 3330611 | 1012283327        |
| 3.327 / 84.50            | 1.180           | 7.3        | 12.00                   | 12.40                  | 301            | 3330620 | 1012283327        |
| 3.346 / 85.00            | 1.180           | 2.5        | 10.90                   | 11.20                  | 313            | 3330690 | 1012283346        |
| 3.346 / 85.00            | 1.180           | 7.3        | 12.10                   | 12.50                  | 313            | 3330700 | 1012283346        |
| 3.366 / 85.50            | 1.180           | 2.5        | 11.20                   | 11.40                  | TBD            | 3330770 | 1012283366        |
| 3.366 / 85.50            | 1.180           | 7.3        | 12.40                   | 12.70                  | TBD            | 3330780 | 1012283366        |
| 3.386 / 86.00            | 1.180           | 2.5        | 11.20                   | 11.40                  | 326            | 3330790 | 1012283386        |
| 3.386 / 86.00            | 1.180           | 7.3        | 12.40                   | 12.70                  | 322            | 3330800 | 1012283386        |

## ACURA B17A1 1.7L DOHC

Stock Bore: 3.189/81 \* Stroke: 3.205 \* Rod: 5.208

PIN 827X2350 SPIRO LOCKS

| Bore:<br>Inch/mm         | Comp.<br>Height | Dome<br>CC | Comp.<br>B16A<br>42.7cc | Comp.<br>GSR<br>41.6cc | Gram<br>Weight | Part #  | Rings<br>Included |
|--------------------------|-----------------|------------|-------------------------|------------------------|----------------|---------|-------------------|
| <b>Inverted dome top</b> |                 |            |                         | <b>Turbo/Nitrous</b>   |                |         |                   |
| 3.189 / 81.00            | 1.180           | -9.4       | 8.40                    | 8.50                   | 271            | 3320012 | 1212303189        |
| 3.192 / 81.06            | 1.180           | -7.9       | 8.60                    | 8.70                   | 272            | 3320001 | 1515403190        |
| 3.209 / 81.50            | 1.180           | -8.0       | 8.70                    | 8.80                   | 273            | 3320203 | 1212303209        |
| 3.228 / 82.00            | 1.180           | -8.0       | 8.70                    | 8.90                   | 289            | 3320220 | 1212303228        |
| 3.268 / 83.00            | 1.180           | -8.7       | 8.80                    | 9.00                   | 289            | 3320701 | 1212303268        |
| 3.307 / 84.00            | 1.180           | -11.8      | 8.60                    | 8.70                   | 297            | 3320801 | 1212303307        |
| 3.327 / 84.50            | 1.180           | -11.8      | 8.70                    | 8.80                   | 298            | 3320901 | 1212303327        |
| 3.346 / 85.00            | 1.180           | -9.6       | 9.00                    | 9.20                   | 310            | 3320751 | 1212303346        |
| 3.366 / 85.50            | 1.180           | -9.6       | 9.10                    | 9.30                   | TBD            | 3320780 | 1212303366        |
| <b>Spherical dish</b>    |                 |            |                         |                        |                |         |                   |
| 3.307 / 84.00            | 1.180           | -5.5       | 9.50                    | 9.70                   | 304            | 3370000 | 1212303307        |
| 3.327 / 84.50            | 1.180           | -5.5       | 9.60                    | 9.80                   | 312            | 3370020 | 1212303327        |
| 3.346 / 85.00            | 1.180           | -5.5       | 9.70                    | 9.90                   | 317            | 3370040 | 1212303346        |
| <b>Flat top</b>          |                 |            |                         |                        |                |         |                   |
| 3.189 / 81.00            | 1.180           | -3.0       | 9.30                    | 9.50                   | 262            | 3310212 | 1212303189        |
| 3.192 / 81.06            | 1.180           | -3.0       | 9.50                    | 9.70                   | 262            | 3310201 | 1515403190        |
| 3.209 / 81.50            | 1.180           | -3.0       | 9.40                    | 9.60                   | 271            | 3310404 | 1212303209        |
| 3.228 / 82.00            | 1.180           | -3.0       | 9.50                    | 9.70                   | 286            | 3310220 | 1212303228        |
| 3.268 / 83.00            | 1.180           | -3.0       | 9.70                    | 9.90                   | 293            | 3310503 | 1212303268        |
| 3.307 / 84.00            | 1.180           | -3.0       | 9.90                    | 10.10                  | 295            | 3310001 | 1212303307        |
| 3.327 / 84.50            | 1.180           | -3.0       | 10.00                   | 10.20                  | 305            | 3310101 | 1212303327        |
| 3.346 / 85.00            | 1.180           | -3.0       | 10.10                   | 10.30                  | 302            | 3310151 | 1212303346        |
| 3.366 / 85.50            | 1.180           | -3.0       | 9.70                    | 9.90                   | TBD            | 3310780 | 1212303366        |
| 3.386 / 86.00            | 1.180           | -3.0       | 10.30                   | 10.50                  | 307            | 3310800 | 1212303386        |
| <b>Dome Top</b>          |                 |            |                         | <b>All Motor</b>       |                |         |                   |
| 3.189 / 81.00            | 1.180           | 2.0        | 12.20                   | 12.50                  | TBD            | 3330221 | 1012283189        |
| 3.189 / 81.00            | 1.180           | 7.0        | 12.50                   | 12.80                  | TBD            | 3330211 | 1012283189        |
| 3.192 / 81.06            | 1.180           | 7.0        | 12.10                   | 13.50                  | TBD            | 3330200 | 1515403190        |
| 3.209 / 81.50            | 1.180           | 2.0        | 11.90                   | 12.20                  | TBD            | 3330411 | 1012283209        |
| 3.209 / 81.50            | 1.180           | 7.4        | 12.60                   | 12.90                  | TBD            | 3330402 | 1012283209        |
| 3.228 / 82.00            | 1.180           | 6.6        | 12.70                   | 13.00                  | TBD            | 3330420 | 1012283228        |
| 3.307 / 84.00            | 1.180           | 0.5        | 11.50                   | 11.80                  | TBD            | 3330490 | 1012283307        |
| 3.307 / 84.00            | 1.180           | 1.7        | 12.50                   | 12.80                  | TBD            | 3330511 | 1012283307        |
| 3.307 / 84.00            | 1.180           | 7.4        | 13.40                   | 13.80                  | TBD            | 3330520 | 1012283307        |
| 3.327 / 84.50            | 1.180           | 0.5        | 11.70                   | 12.00                  | TBD            | 3330590 | 1012283327        |
| 3.327 / 84.50            | 1.180           | 1.4        | 12.70                   | 13.00                  | TBD            | 3330611 | 1012283327        |
| 3.327 / 84.50            | 1.180           | 7.4        | 16.30                   | 13.90                  | TBD            | 3330620 | 1012283327        |
| 3.346 / 85.00            | 1.180           | 2.5        | 12.30                   | 12.60                  | TBD            | 3330690 | 1012283346        |
| 3.346 / 85.00            | 1.180           | 7.4        | 13.70                   | 14.00                  | TBD            | 3330700 | 1012283346        |
| 3.366 / 85.50            | 1.180           | 2.5        | 11.20                   | 11.40                  | TBD            | 3330770 | 1012283366        |
| 3.366 / 85.50            | 1.180           | 7.3        | 12.40                   | 12.70                  | TBD            | 3330780 | 1012283366        |
| 3.386 / 86.00            | 1.180           | 2.5        | 12.60                   | 12.80                  | TBD            | 3330790 | 1012283386        |
| 3.386 / 86.00            | 1.180           | 7.4        | 13.90                   | 14.30                  | TBD            | 3330800 | 1012283386        |

# ARIAS PISTONS

## ACURA B18A1,B1 1.8L

Stock Bore: 3.189/81 \* Stroke: 3.047 \* Rod: 5.290

PIN 827X2350 SPIRO LOCKS

| Bore:<br>Inch/mm                                                        | Comp.<br>Height | Dome<br>CC | Comp.<br>B16A<br>42.7cc | Comp.<br>GSR<br>41.6cc | Gram<br>Weight | Part #  | Rings<br>Included |
|-------------------------------------------------------------------------|-----------------|------------|-------------------------|------------------------|----------------|---------|-------------------|
| <b>Inverted dome top</b> <span style="float:right">Turbo/Nitrous</span> |                 |            |                         |                        |                |         |                   |
| 3.189 / 81.00                                                           | 1.180           | -9.4       | 9.10                    | 9.30                   | 271            | 3320012 | 1212303189        |
| 3.192 / 81.06                                                           | 1.180           | -7.9       | 9.10                    | 9.50                   | 272            | 3320001 | 1515403190        |
| 3.209 / 81.50                                                           | 1.180           | -8.0       | 9.40                    | 9.50                   | 273            | 3320203 | 1212303209        |
| 3.228 / 82.00                                                           | 1.180           | -8.0       | 9.50                    | 9.60                   | 289            | 3320220 | 1212303228        |
| 3.268 / 83.00                                                           | 1.180           | -8.7       | 9.50                    | 9.70                   | 289            | 3320701 | 1212303268        |
| 3.307 / 84.00                                                           | 1.180           | -11.8      | 9.30                    | 9.40                   | 297            | 3320801 | 1212303307        |
| 3.327 / 84.50                                                           | 1.180           | -11.8      | 9.40                    | 9.50                   | 298            | 3320901 | 1212303327        |
| 3.346 / 85.00                                                           | 1.180           | -9.6       | 9.80                    | 9.90                   | 310            | 3320751 | 1212303346        |
| 3.366 / 85.50                                                           | 1.180           | -9.6       | 9.90                    | 10.00                  | TBD            | 3320780 | 1212303366        |
| <b>Spherical dish</b>                                                   |                 |            |                         |                        |                |         |                   |
| 3.307 / 84.00                                                           | 1.180           | -5.5       | 10.30                   | 10.50                  | 304            | 3370000 | 1212303307        |
| 3.327 / 84.50                                                           | 1.180           | -5.5       | 10.40                   | 10.60                  | 312            | 3370020 | 1212303327        |
| 3.346 / 85.00                                                           | 1.180           | -5.5       | 10.50                   | 10.70                  | 317            | 3370040 | 1212303346        |
| <b>Flat top</b>                                                         |                 |            |                         |                        |                |         |                   |
| 3.189 / 81.00                                                           | 1.180           | -3.0       | 10.10                   | 10.30                  | 262            | 3310212 | 1212303189        |
| 3.192 / 81.06                                                           | 1.180           | -2.3       | 10.20                   | 10.40                  | 262            | 3310201 | 1515403190        |
| 3.209 / 81.50                                                           | 1.180           | -3.0       | 10.20                   | 10.50                  | 271            | 3310404 | 1212303209        |
| 3.228 / 82.00                                                           | 1.180           | -3.0       | 10.30                   | 10.60                  | 286            | 3310220 | 1212303228        |
| 3.268 / 83.00                                                           | 1.180           | -3.0       | 10.50                   | 10.70                  | 293            | 3310503 | 1212303268        |
| 3.307 / 84.00                                                           | 1.180           | -3.0       | 10.70                   | 10.90                  | 295            | 3310001 | 1212303307        |
| 3.327 / 84.50                                                           | 1.180           | -3.0       | 10.80                   | 11.00                  | 305            | 3310101 | 1212303327        |
| 3.346 / 85.00                                                           | 1.180           | -3.0       | 10.90                   | 11.10                  | 302            | 3310151 | 1212303346        |
| 3.366 / 85.50                                                           | 1.180           | -3.0       | 11.00                   | 11.20                  | TBD            | 3310780 | 1212303366        |
| 3.386 / 86.00                                                           | 1.180           | -3.0       | 11.10                   | 11.30                  | 307            | 3310800 | 1212303386        |
| <b>Dome Top</b> <span style="float:right">All Motor</span>              |                 |            |                         |                        |                |         |                   |
| 3.189 / 81.00                                                           | 1.180           | 5.6        | 12.20                   | 12.50                  | 275            | 3330221 | 1012283189        |
| 3.189 / 81.00                                                           | 1.180           | 6.9        | 12.50                   | 12.80                  | 278            | 3330211 | 1012283189        |
| 3.192 / 81.06                                                           | 1.180           | 8.9        | 12.10                   | 13.50                  | 278            | 3330200 | 1515403190        |
| 3.209 / 81.50                                                           | 1.180           | 4.2        | 11.90                   | 12.20                  | 281            | 3330411 | 1012283209        |
| 3.209 / 81.50                                                           | 1.180           | 6.9        | 12.60                   | 12.90                  | 283            | 3330402 | 1012283209        |
| 3.228 / 82.00                                                           | 1.180           | 6.6        | 12.70                   | 13.00                  | 286            | 3330420 | 1012283228        |
| 3.307 / 84.00                                                           | 1.180           | 0.5        | 11.50                   | 11.80                  | 313            | 3330490 | 1012283307        |
| 3.307 / 84.00                                                           | 1.180           | 4.3        | 12.50                   | 12.83                  | 302            | 3330511 | 1012283307        |
| 3.307 / 84.00                                                           | 1.180           | 7.3        | 13.40                   | 13.80                  | 303            | 3330520 | 1012283307        |
| 3.327 / 84.50                                                           | 1.180           | 0.5        | 11.70                   | 12.00                  | 314            | 3330590 | 1012283327        |
| 3.327 / 84.50                                                           | 1.180           | 4.3        | 12.70                   | 13.00                  | 302            | 3330611 | 1012283327        |
| 3.327 / 84.50                                                           | 1.180           | 7.3        | 16.30                   | 13.90                  | 301            | 3330620 | 1012283327        |
| 3.346 / 85.00                                                           | 1.180           | 2.5        | 12.30                   | 12.60                  | 313            | 3330690 | 1012283346        |
| 3.346 / 85.00                                                           | 1.180           | 7.3        | 13.70                   | 14.00                  | 313            | 3330700 | 1012283346        |
| 3.366 / 85.50                                                           | 1.180           | 2.5        | 12.50                   | 12.70                  | TBD            | 3330770 | 1012283366        |
| 3.366 / 85.50                                                           | 1.180           | 7.3        | 13.80                   | 14.20                  | TBD            | 3330780 | 1012283366        |
| 3.386 / 86.00                                                           | 1.180           | 2.5        | 12.60                   | 12.80                  | 326            | 3330790 | 1012283386        |
| 3.386 / 86.00                                                           | 1.180           | 7.3        | 13.90                   | 14.30                  | 322            | 3330800 | 1012283386        |

## ACURA B18C1 1.8L DOHC

Stock Bore: 3.189/81 \* Stroke: 3.433 \* Rod: 5.429

PIN 827X2350 SPIRO LOCKS

1994-01 Integra GSR

| Bore:<br>Inch/mm                                                        | Comp.<br>Height | Dome<br>CC | Comp.<br>B16A<br>42.7cc | Comp.<br>GSR<br>41.6cc | Gram<br>Weight | Part #  | Rings<br>Included |
|-------------------------------------------------------------------------|-----------------|------------|-------------------------|------------------------|----------------|---------|-------------------|
| <b>Inverted dome top</b> <span style="float:right">Turbo/Nitrous</span> |                 |            |                         |                        |                |         |                   |
| 3.189 / 81.00                                                           | 1.180           | -9.4       | 8.90                    | 9.10                   | 271            | 3320012 | 1212303189        |
| 3.192 / 81.06                                                           | 1.180           | -7.9       | 9.10                    | 9.30                   | 272            | 3320001 | 1515403190        |
| 3.209 / 81.50                                                           | 1.180           | -8.0       | 9.20                    | 9.30                   | 273            | 3320203 | 1212303209        |
| 3.228 / 82.00                                                           | 1.180           | -8.0       | 9.30                    | 9.40                   | 289            | 3320220 | 1212303228        |
| 3.268 / 83.00                                                           | 1.180           | -8.7       | 9.40                    | 9.50                   | 289            | 3320701 | 1212303268        |
| 3.307 / 84.00                                                           | 1.180           | -11.8      | 9.10                    | 9.20                   | 297            | 3320801 | 1212303307        |
| 3.327 / 84.50                                                           | 1.180           | -11.8      | 9.20                    | 9.30                   | 298            | 3320901 | 1212303327        |
| 3.346 / 85.00                                                           | 1.180           | -9.6       | 9.60                    | 9.70                   | 310            | 3320751 | 1212303346        |
| 3.366 / 85.50                                                           | 1.180           | -9.6       | 9.70                    | 9.80                   | TBD            | 3320780 | 1212303366        |
| <b>Spherical dish</b>                                                   |                 |            |                         |                        |                |         |                   |
| 3.307 / 84.00                                                           | 1.180           | -5.5       | 10.10                   | 10.30                  | 304            | 3370000 | 1212303307        |
| 3.327 / 84.50                                                           | 1.180           | -5.5       | 10.10                   | 10.30                  | 312            | 3370020 | 1212303327        |
| 3.346 / 85.00                                                           | 1.180           | -5.5       | 10.10                   | 10.30                  | 317            | 3370040 | 1212303346        |
| <b>Flat top</b>                                                         |                 |            |                         |                        |                |         |                   |
| 3.189 / 81.00                                                           | 1.180           | -3.0       | 9.90                    | 10.10                  | 262            | 3310212 | 1212303189        |
| 3.192 / 81.06                                                           | 1.180           | -2.3       | 10.00                   | 10.20                  | 262            | 3310201 | 1515403190        |
| 3.209 / 81.50                                                           | 1.180           | -3.0       | 10.00                   | 10.20                  | 271            | 3310404 | 1212303209        |
| 3.228 / 82.00                                                           | 1.180           | -3.0       | 10.10                   | 10.30                  | 286            | 3310220 | 1212303228        |
| 3.268 / 83.00                                                           | 1.180           | -3.0       | 10.30                   | 10.50                  | 293            | 3310503 | 1212303268        |
| 3.307 / 84.00                                                           | 1.180           | -3.0       | 10.50                   | 10.70                  | 295            | 3310001 | 1212303307        |
| 3.327 / 84.50                                                           | 1.180           | -3.0       | 10.60                   | 10.80                  | 305            | 3310101 | 1212303327        |
| 3.346 / 85.00                                                           | 1.180           | -3.0       | 10.70                   | 10.90                  | 302            | 3310151 | 1212303346        |
| 3.366 / 85.50                                                           | 1.180           | -3.0       | 10.80                   | 11.00                  | TBD            | 3310780 | 1212303366        |
| 3.386 / 86.00                                                           | 1.180           | -3.0       | 10.90                   | 11.10                  | 307            | 3310800 | 1212303386        |
| <b>Dome Top</b> <span style="float:right">All Motor</span>              |                 |            |                         |                        |                |         |                   |
| 3.189 / 81.00                                                           | 1.180           | 5.6        | 11.90                   | 12.20                  | 275            | 3330221 | 1012283189        |
| 3.189 / 81.00                                                           | 1.180           | 6.9        | 12.20                   | 12.60                  | 278            | 3330211 | 1012283189        |
| 3.192 / 81.06                                                           | 1.180           | 8.9        | 12.80                   | 13.20                  | 278            | 3330200 | 1515403190        |
| 3.209 / 81.50                                                           | 1.180           | 4.2        | 11.70                   | 11.90                  | 281            | 3330411 | 1012283209        |
| 3.209 / 81.50                                                           | 1.180           | 6.9        | 12.40                   | 12.70                  | 283            | 3330402 | 1012283209        |
| 3.228 / 82.00                                                           | 1.180           | 6.6        | 12.40                   | 12.70                  | 286            | 3330420 | 1012283228        |
| 3.307 / 84.00                                                           | 1.180           | 0.5        | 11.50                   | 11.80                  | 313            | 3330490 | 1012283307        |
| 3.307 / 84.00                                                           | 1.180           | 4.3        | 12.40                   | 12.70                  | 302            | 3330511 | 1012283307        |
| 3.307 / 84.00                                                           | 1.180           | 7.3        | 13.10                   | 13.40                  | 303            | 3330520 | 1012283307        |
| 3.327 / 84.50                                                           | 1.180           | 0.5        | 11.60                   | 11.90                  | 314            | 3330590 | 1012283327        |
| 3.327 / 84.50                                                           | 1.180           | 4.3        | 12.50                   | 12.80                  | 302            | 3330611 | 1012283327        |
| 3.327 / 84.50                                                           | 1.180           | 7.3        | 13.20                   | 13.60                  | 301            | 3330620 | 1012283327        |
| 3.346 / 85.00                                                           | 1.180           | 2.5        | 12.00                   | 12.30                  | 313            | 3330690 | 1012283346        |
| 3.346 / 85.00                                                           | 1.180           | 7.3        | 13.40                   | 13.70                  | 313            | 3330700 | 1012283346        |
| 3.366 / 85.50                                                           | 1.180           | 2.5        | 12.20                   | 12.50                  | TBD            | 3330770 | 1012283366        |
| 3.366 / 85.50                                                           | 1.180           | 7.3        | 13.50                   | 13.90                  | TBD            | 3330780 | 1012283366        |
| 3.386 / 86.00                                                           | 1.180           | 2.5        | 12.30                   | 12.60                  | 326            | 3330790 | 1012283386        |
| 3.386 / 86.00                                                           | 1.180           | 7.3        | 13.60                   | 14.00                  | 322            | 3330800 | 1012283386        |

# SPORT COMPACT CATALOG

## ACURA B20B4 2.0L

Stock Bore: 3.307/84 \* Stroke: 3.504 \* Rod: 5.394

PIN 827X2350 SPIRO LOCKS

1996-02 CRV

| Bore:<br>Inch/mm                       | Comp.<br>Height | Dome<br>CC | Comp.<br>B16A<br>42.7cc | Comp.<br>GSR<br>41.6cc | Gram<br>Weight | Part #  | Rings<br>Included |
|----------------------------------------|-----------------|------------|-------------------------|------------------------|----------------|---------|-------------------|
| <b>Inverted dome top</b> Turbo/Nitrous |                 |            |                         |                        |                |         |                   |
| 3.307 / 84.00                          | 1.180           | -11.8      | 9.30                    | 9.40                   | 297            | 3320801 | 1212303307        |
| 3.327 / 84.50                          | 1.180           | -11.8      | 9.40                    | 9.50                   | 298            | 3320901 | 1212303327        |
| 3.346 / 85.00                          | 1.180           | -9.6       | 9.80                    | 9.90                   | 310            | 3320751 | 1212303366        |
| 3.366 / 85.50                          | 1.180           | -9.6       | 9.90                    | 10.00                  | TBD            | 3320780 | 1212303346        |
| <b>Spherical dish</b>                  |                 |            |                         |                        |                |         |                   |
| 3.307 / 84.00                          | 1.180           | -5.5       | 10.10                   | 10.30                  | 304            | 3370000 | 1212303307        |
| 3.327 / 84.50                          | 1.180           | -5.5       | 10.10                   | 10.30                  | 312            | 3370020 | 1212303327        |
| 3.346 / 85.00                          | 1.180           | -5.5       | 10.10                   | 10.30                  | 317            | 3370040 | 1212303346        |
| <b>Flat top</b>                        |                 |            |                         |                        |                |         |                   |
| 3.307 / 84.00                          | 1.180           | -3.0       | 10.70                   | 10.90                  | 295            | 3310001 | 1212303307        |
| 3.327 / 84.50                          | 1.180           | -3.0       | 10.80                   | 11.00                  | 305            | 3310101 | 1212303327        |
| 3.346 / 85.00                          | 1.180           | -3.0       | 10.90                   | 11.10                  | 302            | 3310151 | 1212303346        |
| 3.366 / 85.50                          | 1.180           | -3.0       | 11.00                   | 11.20                  | TBD            | 3310780 | 1212303366        |
| 3.386 / 86.00                          | 1.180           | -3.0       | 11.10                   | 11.30                  | 307            | 3310800 | 1212303386        |
| <b>Dome Top</b> All Motor              |                 |            |                         |                        |                |         |                   |
| 3.307 / 84.00                          | 1.180           | 0.5        | 11.50                   | 11.80                  | 313            | 3330490 | 1012283307        |
| 3.307 / 84.00                          | 1.180           | 4.3        | 12.50                   | 12.80                  | 302            | 3330511 | 1012283307        |
| 3.307 / 84.00                          | 1.180           | 7.3        | 13.40                   | 13.80                  | 303            | 3330520 | 1012283307        |
| 3.327 / 84.50                          | 1.180           | 0.5        | 11.60                   | 11.90                  | 314            | 3330590 | 1012283327        |
| 3.327 / 84.50                          | 1.180           | 4.3        | 12.70                   | 13.00                  | 302            | 3330611 | 1012283327        |
| 3.327 / 84.50                          | 1.180           | 7.3        | 13.60                   | 13.90                  | 301            | 3330620 | 1012283327        |
| 3.346 / 85.00                          | 1.180           | 2.5        | 12.30                   | 12.60                  | 313            | 3330690 | 1012283346        |
| 3.346 / 85.00                          | 1.180           | 7.3        | 13.70                   | 14.00                  | 313            | 3330700 | 1012283346        |
| 3.366 / 85.50                          | 1.180           | 2.5        | 12.50                   | 12.60                  | TBD            | 3330770 | 1012283366        |
| 3.366 / 85.50                          | 1.180           | 7.3        | 13.80                   | 14.20                  | TBD            | 3330780 | 1012283366        |
| 3.386 / 86.00                          | 1.180           | 2.5        | 12.60                   | 12.80                  | 326            | 3330790 | 1012283386        |
| 3.386 / 86.00                          | 1.180           | 7.3        | 13.90                   | 14.30                  | 322            | 3330800 | 1012283386        |

## ACURA K20A,C 2.0L DOHC

Stock Bore: 3.386/86 \* Stroke: 3.386 \* Rod: 5.472 \* Head cc: 50.5

PIN 866X2350 SPIRO LOCKS

2002-04 RSX

| Bore:<br>Inch/mm                       | Comp.<br>Height | Dome<br>CC | Compression | Gram<br>Weight | Part #  | Rings<br>Included |
|----------------------------------------|-----------------|------------|-------------|----------------|---------|-------------------|
| <b>Inverted dome top</b> Turbo/Nitrous |                 |            |             |                |         |                   |
| 3.386 / 86.00                          | 1.180           | -6.5       | 9.00        | 328            | 3321121 | 1212303386        |
| 3.406 / 86.50                          | 1.180           | -6.5       | 9.10        | 331            | 3321101 | 1212303406        |
| 3.425 / 87.00                          | 1.180           | -6.5       | 9.20        | 334            | 3321130 | 12123034425       |
| <b>Flat top</b> Turbo/Nitrous          |                 |            |             |                |         |                   |
| 3.386 / 86.00                          | 1.180           | -6.5       | 9.00        | 328            | 3321121 | 1212303386        |
| <b>Dome Top</b> Turbo/Nitrous          |                 |            |             |                |         |                   |
| 3.386 / 86.00                          | 1.180           | 0.1        | 10.00       | 343            | 3339500 | 1212303386        |
| 3.4055 / 86.50                         | 1.180           | 0.1        | 10.10       | 349            | 3339520 | 1212303406        |
| <b>Dome Top</b> All Motor / Nitrous    |                 |            |             |                |         |                   |
| 3.386 / 86.00                          | 1.180           | 8.0        | 11.50       | 332            | 3330500 | 1012283386        |
| 3.386 / 86.00                          | 1.180           | 13.0       | 12.80       | 323            | 3335500 | 1012283386        |
| 3.406 / 86.50                          | 1.180           | 8.0        | 11.50       | 335            | 3330600 | 1012283406        |
| 3.406 / 86.50                          | 1.180           | 13.0       | 12.90       | 326            | 3335520 | 1012283406        |
| 3.425 / 87.00                          | 1.180           | 4.2        | 10.95       | 324            | 3330551 | 1012283425        |
| 3.425 / 87.00                          | 1.180           | 13.0       | 13.00       | TBD            | 3330540 | 1012283425        |

## ACURA K20A,C 2.0L

99mm Stroker  
.748X1.910CH

Stock Bore: 3.386/86 \* Stroke: 3.898 \* Rod: 5.472 \* Head cc: 50.5

PIN 866X2350

2002-04 RSX

| Bore:<br>Inch/mm | Comp.<br>Height | Dome<br>CC | Compression | Gram<br>Weight | Part #  | Rings<br>Included |
|------------------|-----------------|------------|-------------|----------------|---------|-------------------|
| 3.4645 / 88.00   | .925            | 11.0       | 15.00       | TBD            | 3330110 | 1212303464        |
| 3.504 / 89.00    | .925            | 11.0       | 15.00       | TBD            | 3330120 | 1212303504        |
| 3.5433 / 90.00   | .925            | 11.0       | 15.00       | TBD            | 3330130 | 1012283543        |

## ACURA K24A 2.4L DOHC

w/K20 head

Stock Bore: 3.425/87 \* Stroke: 3.898 \* Rod: 5.984 \* Head cc: 50.5

PIN 866

2002-04 CRV

| Bore:<br>Inch/mm                                                             | Comp.<br>Height | Dome<br>CC | Compression | Gram<br>Weight | Part #  | Rings<br>Included |
|------------------------------------------------------------------------------|-----------------|------------|-------------|----------------|---------|-------------------|
| <b>Dish Top</b> Turbo/Nitrous                                                |                 |            |             |                |         |                   |
| 3.425 / 87.00                                                                | 1.180           | -6.5       | 10.30       | 340            | 3321130 | 1212303425        |
| 3.425 / 87.00                                                                | 1.180           | -19.2      | 8.90        | 330            | 3321150 | 1212303425        |
| 3.445 / 87.50                                                                | 1.180           | -19.2      | 9.00        | 319            | 3321160 | 1212303445        |
| 3.445 / 87.50                                                                | 1.175           | -9.0       | 10.00       | 345            | 3322420 | 1212303445        |
| 3.4645 / 88.00                                                               | 1.180           | -19.2      | 9.10        | 324            | 3321170 | 1212303464        |
| 3.4645 / 88.00                                                               | 1.175           | -9.0       | 10.10       | 346            | 3322440 | 1212303464        |
| 3.504 / 89.00                                                                | 1.180           | -16.1      | 9.50        | 324            | 3321190 | 1212303504        |
| <b>Flat top</b> All Motor/Nitrous                                            |                 |            |             |                |         |                   |
| 3.425 / 87.00                                                                | 1.180           | -4.0       | 11.00       | TBD            | 3310301 | 1212303425        |
| 3.445 / 87.50                                                                | 1.180           | -4.0       | 11.10       | 358            | 3310311 | 1212303445        |
| 3.4645 / 88.00                                                               | 1.180           | -4.0       | 11.20       | TBD            | 3310320 | 1212303465        |
| <b>Dome top</b> All Motor/Nitrous                                            |                 |            |             |                |         |                   |
| 3.425 / 87.00                                                                | 1.180           | 4.2        | 12.50       | 324            | 3330551 | 1012283425        |
| 3.445 / 87.50                                                                | 1.180           | 2.8        | 12.50       | 318            | 3330561 | 1012283445        |
| 3.445 / 87.50                                                                | 1.180           | 11.5       | 14.50       | 338            | 3330565 | 1012283445        |
| 3.4645 / 88.00                                                               | 1.180           | 1.0        | 12.00       | 322            | 3330570 | 1012283464        |
| 3.4645 / 88.00                                                               | 1.180           | 3.0        | 12.50       | 332            | 3330571 | 1012283464        |
| 3.4645 / 88.00                                                               | 1.180           | 6.8        | 13.40       | 325            | 3330640 | 1012283464        |
| 3.4645 / 88.00                                                               | 1.180           | 11.0       | 14.50       | TBD            | 3338420 | 1012283464        |
| 3.4645 / 88.00                                                               | 1.180           | 11.0       | 14.50       | TBD            | 3339420 | 1012283464        |
| 3.484 / 88.50                                                                | 1.180           | 6.8        | 13.50       | 329            | 3330650 | 1012283484        |
| 3.504 / 89.00                                                                | 1.180           | 6.8        | 13.60       | 334            | 3330660 | 1012283504        |
| 3.504 / 89.00                                                                | 1.180           | 11.0       | 15.00       | TBD            | 3338440 | 1012283504        |
| 3.504 / 89.00                                                                | 1.180           | 11.0       | 15.00       | TBD            | 3339440 | 1012283504        |
| 3.5433 / 90.00                                                               | 1.180           | 11.0       | 15.00       | TBD            | 3338460 | 1012283543        |
| 3.5433 / 90.00                                                               | 1.180           | 11.0       | 15.00       | TBD            | 3339460 | 1012283543        |
| <b>Dome top, GPL (Gas Ports), FSR (Forged Side Relief)</b> All Motor/Nitrous |                 |            |             |                |         |                   |
| 3.4645 / 88.00                                                               | 1.180           | 11.0       | 14.50       | TBD            | 3338420 | 1012283464        |
| 3.4645 / 88.00                                                               | 1.180           | 11.0       | 14.50       | TBD            | 3339420 | 1012283464        |
| 3.504 / 89.00                                                                | 1.180           | 11.0       | 15.00       | TBD            | 3338440 | 1012283504        |
| 3.504 / 89.00                                                                | 1.180           | 11.0       | 15.00       | TBD            | 3339440 | 1012283504        |
| 3.5433 / 90.00                                                               | 1.180           | 11.0       | 15.00       | TBD            | 3338460 | 1012283543        |
| 3.5433 / 90.00                                                               | 1.180           | 11.0       | 15.00       | TBD            | 3339460 | 1012283543        |

## HONDA D16A6 1.6L SOHC

Stock Bore: 2.953/75 \* Stroke: 3.543 \* Rod: 5.394 \* Head cc: 38

PIN 748X2.050CH

| Bore:<br>Inch/mm                    | Comp.<br>Height | Dome<br>CC | Compression | Gram<br>Weight | Part #  | Rings<br>Included |
|-------------------------------------|-----------------|------------|-------------|----------------|---------|-------------------|
| <b>Dish Top</b> Turbo/Nitrous       |                 |            |             |                |         |                   |
| 2.955 / 75.05                       | 1.166           | -11.7      | 8.50        | 244            | 3320501 | 1012282954        |
| 2.973 / 75.50                       | 1.166           | -12.4      | 8.40        | 251            | 3320601 | 1012282973        |
| <b>Dome Top</b> All Motor / Nitrous |                 |            |             |                |         |                   |
| 2.955 / 75.05                       | 1.166           | -0.3       | 10.50       | 242            | 3330001 | 1012282954        |
| 2.973 / 75.50                       | 1.166           | -0.5       | 10.50       | 243            | 3330101 | 1012282973        |

# ARIAS PISTONS

## HONDA D16Y7, D16Z6-Y8 1.6L SOHC

Stock Bore: 2.953/75 \* Stroke: 3.543 \* Rod: 5.394

PIN 748X2050CH

1992-02 Civic, 92-97 Del Sol

| Bore:<br>Inch/mm                  | Comp.<br>Height | Dome<br>CC | Comp.<br>Y7/Z6<br>34.6cc | Comp.<br>Y8<br>32.8cc | Gram<br>Weight | Part #  | Rings<br>Included |
|-----------------------------------|-----------------|------------|--------------------------|-----------------------|----------------|---------|-------------------|
| <b>Dish Top</b> Turbo/Nitrous     |                 |            |                          |                       |                |         |                   |
| 2.955 / 75.05                     | 1.181           | -11.3      | 9.00                     | 9.40                  | 244            | 3321201 | 1012282954        |
| 2.973 / 75.50                     | 1.181           | -11.3      | 9.05                     | 9.45                  | 251            | 3321211 | 1012282973        |
| 2.992 / 76.00                     | 1.181           | -11.3      | 9.10                     | 9.50                  | 255            | 3321240 | 1012282992        |
| <b>Flat top</b> All Motor/Nitrous |                 |            |                          |                       |                |         |                   |
| 2.955 / 75.05                     | 1.175           | -3.5       | TBD                      | TBD                   | 263            | 3311200 | 1012282954        |
| 2.973 / 75.50                     | 1.175           | -3.5       | TBD                      | TBD                   | 266            | 3311210 | 1012282973        |
| 2.992 / 76.00                     | 1.175           | -3.5       | TBD                      | TBD                   | 273            | 3311240 | 1012282992        |
| <b>Dome Top</b> All Motor/Nitrous |                 |            |                          |                       |                |         |                   |
| 2.955 / 75.05                     | 1.181           | -0.4       | 11.60                    | 11.90                 | 242            | 3330900 | 1012282954        |
| 2.973 / 75.50                     | 1.181           | -0.4       | 11.60                    | 11.90                 | 243            | 3330910 | 1012282973        |
| 2.973 / 75.50                     | 1.181           | 4.7        | 13.00                    | 13.40                 | 257            | 3331910 | 1012282973        |
| 2.992 / 76.00                     | 1.181           | -0.4       | 11.65                    | 11.95                 | 247            | 3330940 | 1012282992        |
| 2.992 / 76.00                     | 1.181           | 4.7        | 13.25                    | 13.65                 | 263            | 3331940 | 1012282992        |
| 3.0315 / 77.00                    | 1.181           | -0.8       | 11.50                    | 11.90                 | TBD            | 3330980 | 1012283031        |
| 3.0315 / 77.00                    | 1.181           | 4.7        | 13.50                    | 13.90                 | TBD            | 3331980 | 1012283031        |

## HONDA F20C 2.0L DOHC

Stock Bore: 3.425/87 \* Stroke: 3.307 \* Rod: 6.024 \* Head cc: 55

PIN 905

| Bore:<br>Inch/mm              | Comp.<br>Height | Dome<br>CC | Compression | Gram<br>Weight | Part #  | Rings<br>Included |
|-------------------------------|-----------------|------------|-------------|----------------|---------|-------------------|
| <b>Flat top</b> Turbo/Nitrous |                 |            |             |                |         |                   |
| 3.386 / 86.00                 | 1.180           | 8.0        | 11.50       | 332            | 3330500 | 1012283386        |
| 3.386 / 86.00                 | 1.180           | 13.0       | 12.80       | 323            | 3335500 | 1012283386        |
| 3.406 / 86.50                 | 1.180           | 8.0        | 11.50       | 335            | 3330600 | 1012283406        |
| 3.406 / 86.50                 | 1.180           | 13.0       | 12.90       | 326            | 3335520 | 1012283406        |
| <b>Dome Top</b>               |                 |            |             |                |         |                   |
| 3.425 / 87.0                  | 1.141           | 4.3        | 10.00       | 354            | 3332500 | 1212303425        |
| 3.425 / 87.0                  | 1.181           | 6.0        | 11.50       | 317            | 3332000 | 1012283425        |
| 3.445 / 87.5                  | 1.141           | 3.5        | 10.00       | 355            | 3332520 | 1212303445        |
| 3.445 / 87.5                  | 1.181           | 6.0        | 11.60       | 323            | 3332010 | 1012283445        |
| 3.4645 / 88.0                 | 1.141           | 2.9        | 10.00       | 357            | 3332540 | 1212303465        |
| 3.4645 / 88.0                 | 1.181           | 4.8        | 11.50       | 331            | 3332020 | 1012283465        |
| 3.504 / 89.0                  | 1.141           | 2.3        | 10.10       | 365            | 3332580 | 1212303504        |
| 3.504 / 89.0                  | 1.181           | 3.8        | 11.50       | 345            | 3332040 | 1012283504        |

## HONDA F22C 2.2L DOHC

Stock Bore: 3.425/87 \* Stroke: 3.573 \* Rod: 5.892 \* Head cc: 55

PIN 905

| Bore:<br>Inch/mm                        | Comp.<br>Height | Dome<br>CC | Compression | Gram<br>Weight | Part #  | Rings<br>Included |
|-----------------------------------------|-----------------|------------|-------------|----------------|---------|-------------------|
| <b>Flat top</b> Turbo/Nitrous           |                 |            |             |                |         |                   |
| 3.425 / 87.0                            | 1.141           | -3.0       | 9.40        | 342            | 3322000 | 1012283425        |
| 3.425 / 87.0                            | 1.141           | 4.3        | 10.60       | 354            | 3332500 | 1212303425        |
| 3.445 / 87.5                            | 1.141           | -3.0       | 9.60        | 347            | 3322010 | 1012283445        |
| 3.445 / 87.5                            | 1.141           | 3.5        | 10.60       | TBD            | 3332520 | 1212303445        |
| 3.4645 / 88.0                           | 1.141           | -3.0       | 9.65        | TBD            | 3322020 | 1012283465        |
| 3.4645 / 88.0                           | 1.141           | 2.9        | 10.60       | TBD            | 3332540 | 1212303465        |
| 3.504 / 89.0                            | 1.141           | -3.0       | 9.65        | TBD            | 3322040 | 1012283504        |
| 3.504 / 89.0                            | 1.141           | 2.3        | 10.70       | TBD            | 3332580 | 1212303504        |
| <b>Dome Top</b> All motor/Turbo/Nitrous |                 |            |             |                |         |                   |
| 3.425 / 87.0                            | 1.181           | 6.0        | 12.30       | 317            | 3332000 | 1012283425        |
| 3.445 / 87.5                            | 1.181           | 6.0        | 12.50       | 323            | 3332010 | 1012283445        |
| 3.4645 / 88.0                           | 1.181           | 4.8        | 12.40       | 331            | 3332020 | 1012283465        |
| 3.504 / 89.0                            | 1.181           | 3.8        | 12.40       | 345            | 3332040 | 1012283504        |

## HONDA F22A1 2.2L SOHC

Stock Bore: 3.346/85 \* Stroke: 3.740 \* Rod: 5.571 \* Head cc: 50.5

PIN 866

| Bore:<br>Inch/mm                  | Comp.<br>Height | Dome<br>CC | Compression | Gram<br>Weight | Part #  | Rings<br>Included |
|-----------------------------------|-----------------|------------|-------------|----------------|---------|-------------------|
| <b>Dish Top</b> Turbo/Nitrous     |                 |            |             |                |         |                   |
| 3.386 / 86.00                     | 1.210           | -12.9      | 9.00        | 313            | 3320303 | 1212303386        |
| <b>Dish Top</b> All Motor/Nitrous |                 |            |             |                |         |                   |
| 3.386 / 86.00                     | 1.210           | -2.9       | 10.50       | 345            | 3320102 | 1212303386        |
| <b>Dome Top</b> All Motor         |                 |            |             |                |         |                   |
| 3.386 / 86.00                     | 1.210           | 5.0        | 12.00       | 315            | 3330250 | 1012283386        |

## HONDA H22A1 2.2L DOHC

Stock Bore: 3.425/87 \* Stroke: 3.571 \* Rod: 5.630 \* Head cc: 53.8

PIN 866

1992-01 Prelude Si

| Bore:<br>Inch/mm              | Comp.<br>Height | Dome<br>CC | Compression | Gram<br>Weight | Part #  | Rings<br>Included |
|-------------------------------|-----------------|------------|-------------|----------------|---------|-------------------|
| <b>Dish Top</b> Turbo/Nitrous |                 |            |             |                |         |                   |
| 3.445 / 87.50                 | 1.200           | -15.0      | 8.40        | 330            | 3320402 | 1212303445        |
| <b>Flat Top</b>               |                 |            |             |                |         |                   |
| 3.445 / 87.50                 | 1.200           | -4.2       | 9.20        | 330            | 3310602 | 1212303445        |
| <b>Dome Top</b> Turbo/Nitrous |                 |            |             |                |         |                   |
| 3.4252 / 87.00                | 1.200           | 0.4        | 10.00       | TBD            | 3338801 | 1212303425        |
| 3.445 / 87.50                 | 1.200           | 0.4        | 10.10       | TBD            | 3338820 | 1212303445        |
| 3.4645 / 88.00                | 1.200           | 0.0        | 10.00       | TBD            | 3338840 | 1212303465        |
| 3.504 / 89.00                 | 1.200           | -1.2       | 10.00       | TBD            | 3338880 | 1212303504        |
| <b>Dome Top</b> All Motor     |                 |            |             |                |         |                   |
| 3.445 / 87.50                 | 1.200           | 6.0        | 11.00       | 313            | 3330300 | 1012283445        |
| 3.4645 / 88.00                | 1.210           | 6.0        | 11.30       | TBD            | 3330320 | 1012283465        |
| 3.4645 / 88.00                | 1.200           | 11.6       | 12.00       | TBD            | 3332240 | 1012283465        |
| 3.504 / 89.00                 | 1.200           | 11.6       | 12.30       | TBD            | 3332280 | 1012283504        |

## HONDA H23A1 2.3L DOHC

Stock Bore: 3.425/87 \* Stroke: 3.740 \* Rod: 5.571 \* Head cc: 50

PIN 866

1992-95 Prelude

| Bore:<br>Inch/mm                        | Comp.<br>Height | Dome<br>CC | Compression | Gram<br>Weight | Part #  | Rings<br>Included |
|-----------------------------------------|-----------------|------------|-------------|----------------|---------|-------------------|
| <b>Dish Top</b> Turbo/Nitrous           |                 |            |             |                |         |                   |
| 3.445 / 87.50*                          | 1.200           | -15.0      | 9.20        | TBD            | 3320402 | 1212303445        |
| <b>Flat Top</b> All motor/Turbo/Nitrous |                 |            |             |                |         |                   |
| 3.445 / 87.50*                          | 1.200           | -4.2       | 10.70       | TBD            | 3310602 | 1212303445        |
| <b>Dome Top</b> Turbo/Nitrous           |                 |            |             |                |         |                   |
| 3.4252 / 87.00                          | 1.200           | 0.4        | 11.00       | TBD            | 3338800 | 1212303425        |
| 3.445 / 87.50                           | 1.200           | 0.4        | 11.10       | TBD            | 3338820 | 1212303445        |
| 3.4645 / 88.00                          | 1.200           | 0.0        | 11.00       | TBD            | 3338840 | 1212303465        |
| 3.504 / 89.00                           | 1.200           | -1.2       | 11.00       | TBD            | 3338880 | 1212303504        |
| <b>Dome Top</b> All Motor               |                 |            |             |                |         |                   |
| 3.445 / 87.50                           | 1.200           | 6.0        | 13.25       | 313            | 3330300 | 1012283445        |
| 3.4645 / 88.00                          | 1.210           | 6.0        | 13.40       | TBD            | 3330320 | 1012283465        |
| 3.4645 / 88.00                          | 1.200           | 10.0       | 14.00       | TBD            | 3332240 | 1012283465        |
| 3.504 / 89.00                           | 1.200           | 10.0       | 14.30       | TBD            | 3332280 | 1012283504        |

## HONDA L15A 1.5L

Stock Bore: 2.874/73 \* Stroke: 3.520 \* Rod: 5.866 \* Head cc: 53.8

PIN 708X2.050

Fit, Jazz

| Bore:<br>Inch/mm               | Comp.<br>Height | Dome<br>CC | Compression | Gram<br>Weight | Part #  | Rings<br>Included |
|--------------------------------|-----------------|------------|-------------|----------------|---------|-------------------|
| <b>Dish Top</b> Turbo/Nitrous  |                 |            |             |                |         |                   |
| 2.874 / 73.00                  | 1.030           | -16.7      | 9.00        | TBD            | 3321500 | 1012202874        |
| 2.8937 / 73.50                 | 1.030           | -16.7      | 9.10        | TBD            | 3321510 | 1012202894        |
| <b>Flat Top</b> Na Gas/Nitrous |                 |            |             |                |         |                   |
| 2.874 / 73.00                  | 1.030           | FLAT       | 12.50       | TBD            | 3311500 | 1012202874        |
| 2.8937 / 73.50                 | 1.030           | FLAT       | 12.60       | TBD            | 3311510 | 1012202894        |

# SPORT COMPACT CATALOG

## HONDA RA18A1/A2 1.8L

| <b>Stock Bore: 3.189/81 * Stroke: 3.433/87.3 * Rod: 6.201/157.5</b>         |              |         |             |                                      |         |                |
|-----------------------------------------------------------------------------|--------------|---------|-------------|--------------------------------------|---------|----------------|
| <b>PIN 787X2350</b>                                                         |              |         |             | Civic 2006-07-UP FA1/FD1/FG1/FK2/FN1 |         |                |
| Bore: Inch/mm                                                               | Comp. Height | Dome CC | Compression | Gram Weight                          | Part #  | Rings Included |
| <b>Inverted Dome Top</b> <span style="float:right">All Motor/Nitrous</span> |              |         |             |                                      |         |                |
| 3.189 / 81.00                                                               | 1.135        | -11.2   | 9.00        | TBD                                  | 3321800 | 1212303189     |
| 3.2087 / 81.50                                                              | 1.135        | -11.7   | 9.00        | TBD                                  | 3321820 | 1212303209     |

## DODGE EDV/EDT 2.4L

| <b>Stock Bore: 3.445/87.5 * Stroke: 3.976 * Rod: 5.945 * Head cc: 49</b> |              |         |             |             |         |                |
|--------------------------------------------------------------------------|--------------|---------|-------------|-------------|---------|----------------|
| <b>PIN 866X2350</b>                                                      |              |         |             | SRT4        |         |                |
| Bore: Inch/mm                                                            | Comp. Height | Dome CC | Compression | Gram Weight | Part #  | Rings Included |
| <b>Dish Top</b> <span style="float:right">Turbo/Nitrous</span>           |              |         |             |             |         |                |
| 3.445 / 87.50                                                            | 1.430        | -20     | 8.5         | 366         | 3120000 | 1515403445     |
| 3.4645 / 88.00                                                           | 1.430        | -20     | 8.6         | 373         | 3120010 | 1515403465     |

## FORD Ecoboost 2.3L

| <b>Stock Bore: 3.445/87.5 * Stroke: 3.701/94.0 * Rod: 5.927/150.5 *</b> |              |         |             |             |         |                |
|-------------------------------------------------------------------------|--------------|---------|-------------|-------------|---------|----------------|
| <b>Head cc: 51.2 PIN 866X2350</b>                                       |              |         |             | Focus GTDi  |         |                |
| Bore: Inch/mm                                                           | Comp. Height | Dome CC | Compression | Gram Weight | Part #  | Rings Included |
| <b>Dish Top</b> <span style="float:right">Turbo/Nitrous</span>          |              |         |             |             |         |                |
| 3.445 / 87.50                                                           | 1.245        | -4.2    | 8.90        | TBD         | 3228600 | 1212303445     |
| 3.4645 / 88.00                                                          | 1.245        | -4.2    | 9.00        | TBD         | 3228620 | 1212303464     |

## MAZDA B6 Miata 1.6L

| <b>Stock Bore: 3.071/78.5 * Stroke: 3.291/83.59, 3.291 * Rod: 5.233</b> |              |         |             |             |         |                |
|-------------------------------------------------------------------------|--------------|---------|-------------|-------------|---------|----------------|
| <b>* Head cc: 37.5 PIN 787X2350</b>                                     |              |         |             | Miata       |         |                |
| Bore: Inch/mm                                                           | Comp. Height | Dome CC | Compression | Gram Weight | Part #  | Rings Included |
| <b>Dish Top</b> <span style="float:right">Turbo/Nitrous</span>          |              |         |             |             |         |                |
| 3.091 / 78.51                                                           | 1.255        | -11.1   | 8.50        | TBD         | 3920100 | 1215403091     |

## MAZDA BP18 1.8L

| <b>Stock Bore: 3.268/83 * Stroke: 3.346/85 * Rod: 5.233 * Head cc: 48</b> |              |         |             |             |         |                |
|---------------------------------------------------------------------------|--------------|---------|-------------|-------------|---------|----------------|
| <b>PIN 787X2350</b>                                                       |              |         |             | MX5         |         |                |
| Bore: Inch/mm                                                             | Comp. Height | Dome CC | Compression | Gram Weight | Part #  | Rings Included |
| <b>Dish Top</b> <span style="float:right">Turbo/Nitrous</span>            |              |         |             |             |         |                |
| 3.287 / 83.50                                                             | 1.230        | -11.5   | 8.20        | TBD         | 3920200 | 1215403287     |
| <b>Dome Top</b> <span style="float:right">All Motor</span>                |              |         |             |             |         |                |
| 3.307 / 84.00                                                             | 1.230        | 7.9     | 11.50       | TBD         | 3930000 | 1012283307     |

## MAZDA Mazdaspeed 3 1.6L

| <b>Stock Bore: 3.445/87.5 * Stroke: 3.701/94 * Rod: 5.927/150.55 *</b> |              |         |             |             |         |                |
|------------------------------------------------------------------------|--------------|---------|-------------|-------------|---------|----------------|
| <b>Head cc: 42</b>                                                     |              |         |             |             |         |                |
| Bore: Inch/mm                                                          | Comp. Height | Dome CC | Compression | Gram Weight | Part #  | Rings Included |
| <b>Dish Top</b> <span style="float:right">Turbo/Nitrous</span>         |              |         |             |             |         |                |
| 3.445 / 87.50                                                          | 1.270        | TBD     | TBD         | TBD         | 3920000 | TBD            |

## MITSUBISHI 4B11T

| <b>Stock Bore: 3.386/86 * Stroke: 3.386 * Rod Length: 5.659 *</b> |              |         |             |             |         |                |
|-------------------------------------------------------------------|--------------|---------|-------------|-------------|---------|----------------|
| <b>Head cc: 49 PIN 905X2350</b>                                   |              |         |             | 2008+ Evo10 |         |                |
| Bore: Inch/mm                                                     | Comp. Height | Dome CC | Compression | Gram Weight | Part #  | Rings Included |
| <b>Dish Top</b> <span style="float:right">Turbo/Nitrous</span>    |              |         |             |             |         |                |
| 3.386 / 86.00                                                     | 1.310        | -6.5    | 8.80        | 349         | 3420600 | 1212303386     |
| 3.4055 / 86.50                                                    | 1.310        | -6.5    | 8.90        | 356         | 3420610 | 1212303406     |
| 3.425 / 87.00                                                     | 1.310        | -6.5    | 9.00        | 369         | 3420620 | 1212303425     |

## MITSUBISHI 4G63 2.0L

| <b>Stock Bore: 3.346/85 * Stroke: 3.465 * Rod: 5.906 * Head cc: 47</b> |              |         |             |                              |         |                |
|------------------------------------------------------------------------|--------------|---------|-------------|------------------------------|---------|----------------|
| <b>PIN .827</b>                                                        |              |         |             | 1st Gen Eclipse, Eagle Talon |         |                |
| Bore: Inch/mm                                                          | Comp. Height | Dome CC | Compression | Gram Weight                  | Part #  | Rings Included |
| <b>Dish Top</b> <span style="float:right">Turbo/Nitrous</span>         |              |         |             |                              |         |                |
| 3.366 / 85.50                                                          | 1.375        | -11.0   | 8.70        | 365                          | 3420301 | 1515403366     |
| 3.386 / 86.00                                                          | 1.375        | -11.0   | 8.80        | 365                          | 3420101 | 1515403386     |

## MITSUBISHI 4G63-100mm Stroker

| <b>Stock Bore: 3.346/85 * Stroke: 3.937 * Rod Length: 5.906 *</b> |              |         |             |                              |         |                |
|-------------------------------------------------------------------|--------------|---------|-------------|------------------------------|---------|----------------|
| <b>Head cc: 47 PIN .827</b>                                       |              |         |             | 1st Gen Eclipse, Eagle Talon |         |                |
| Bore: Inch/mm                                                     | Comp. Height | Dome CC | Compression | Gram Weight                  | Part #  | Rings Included |
| <b>Dish Top</b> <span style="float:right">Turbo/Nitrous</span>    |              |         |             |                              |         |                |
| 3.366 / 85.50                                                     | 1.135        | -20.0   | 8.50        | 306                          | 3420350 | 1515403366     |

## MITSUBISHI 4G63 2.0L

| <b>Stock Bore: 3.346/85 * Stroke: 3.4645 * Rod: 5.906 * Head cc: 47</b> |              |         |             |                              |         |                |
|-------------------------------------------------------------------------|--------------|---------|-------------|------------------------------|---------|----------------|
| <b>PIN .866</b>                                                         |              |         |             | 2nd Gen Eclipse, Eagle Talon |         |                |
| Bore: Inch/mm                                                           | Comp. Height | Dome CC | Compression | Gram Weight                  | Part #  | Rings Included |
| <b>Dish Top</b> <span style="float:right">Turbo/Nitrous</span>          |              |         |             |                              |         |                |
| 3.346 / 85.00                                                           | 1.375        | -11.0   | 8.50        | 343                          | 3420250 | 1212403346     |
| 3.366 / 85.50                                                           | 1.375        | -11.0   | 8.70        | 362                          | 3420401 | 1515403366     |
| 3.386 / 86.00                                                           | 1.375        | -11.0   | 8.80        | 362                          | 3420201 | 1515403386     |
| <b>Flat Top</b> <span style="float:right">Turbo/Nitrous</span>          |              |         |             |                              |         |                |
| 3.346 / 85.00                                                           | 1.375        | -3.7    | 9.30        | 364                          | 3410250 | 1212303346     |
| 3.366 / 85.50                                                           | 1.375        | -3.7    | 9.40        | 366                          | 3410400 | 1212303366     |
| 3.386 / 86.00                                                           | 1.375        | -3.7    | 9.50        | 373                          | 3410200 | 1212303386     |

## MITSUBISHI 4G63-100mm Stroker

| <b>Stock Bore: 3.346/85 * Stroke: 3.937 * Rod Length: 5.906 *</b> |              |         |             |                              |         |                |
|-------------------------------------------------------------------|--------------|---------|-------------|------------------------------|---------|----------------|
| <b>Head cc: 47 PIN .866</b>                                       |              |         |             | 2nd Gen Eclipse, Eagle Talon |         |                |
| Bore: Inch/mm                                                     | Comp. Height | Dome CC | Compression | Gram Weight                  | Part #  | Rings Included |
| <b>Dish Top</b> <span style="float:right">Turbo/Nitrous</span>    |              |         |             |                              |         |                |
| 3.366 / 85.50                                                     | 1.135        | -20.0   | 8.90        | 300                          | 3420450 | 1515403366     |
| 3.386 / 86.00                                                     | 1.135        | -20.0   | 9.00        | 309                          | 3420460 | 1515403386     |

## MITSUBISHI 4G63-94mm Stroker

| <b>Stock Bore: 3.346/85 * Stroke: 3.701 * Rod Length: 5.906 *</b> |              |         |             |                              |         |                |
|-------------------------------------------------------------------|--------------|---------|-------------|------------------------------|---------|----------------|
| <b>Head cc: 47 PIN .866</b>                                       |              |         |             | 2nd Gen Eclipse, Eagle Talon |         |                |
| Bore: Inch/mm                                                     | Comp. Height | Dome CC | Compression | Gram Weight                  | Part #  | Rings Included |
| <b>Dish Top</b> <span style="float:right">Turbo/Nitrous</span>    |              |         |             |                              |         |                |
| 3.346 / 85.00                                                     | 1.253        | -13.0   | 8.70        | 321                          | 3420410 | 1212303346     |
| 3.366 / 85.50                                                     | 1.253        | -13.0   | 8.80        | 325                          | 3420420 | 1515303366     |
| 3.386 / 86.00                                                     | 1.253        | -13.0   | 8.90        | 330                          | 3420430 | 1515303386     |

## MITSUBISHI 4G63-94mm Stroker

| <b>Stock Bore: 3.346/85 * Stroke: 3.701 * Rod Length: 5.906 *</b> |              |         |             |                  |         |                |
|-------------------------------------------------------------------|--------------|---------|-------------|------------------|---------|----------------|
| <b>Head cc: 43 PIN .866</b>                                       |              |         |             | 2003-04 Evo VIII |         |                |
| Bore: Inch/mm                                                     | Comp. Height | Dome CC | Compression | Gram Weight      | Part #  | Rings Included |
| <b>Dish Top</b> <span style="float:right">Turbo/Nitrous</span>    |              |         |             |                  |         |                |
| 3.346 / 85.00                                                     | 1.253        | -13.0   | 9.20        | TBD              | 3420410 | 1212303346     |
| 3.366 / 85.50                                                     | 1.253        | -13.0   | 9.25        | TBD              | 3420420 | 1515303366     |
| 3.386 / 86.00                                                     | 1.253        | -13.0   | 9.40        | TBD              | 3420430 | 1515303386     |

# ARIAS PISTONS

## MITSUBISHI 4G64 2.4L DOHC

WITH 4G63 Head Stock Bore: 3.4055/86.5 \* Stroke: 3.937 \*

Rod Length: 5.906 \* Head cc: 43 PIN 866X2350

| Bore:<br>Inch/mm                                               | Comp.<br>Height | Dome<br>CC | Compression | Gram<br>Weight | Part #  | Rings<br>Included |
|----------------------------------------------------------------|-----------------|------------|-------------|----------------|---------|-------------------|
| <b>Dish Top</b> <span style="float:right">Turbo/Nitrous</span> |                 |            |             |                |         |                   |
| 3.4055 / 86.50                                                 | 1.375           | -19.0      | 9.00        | 354            | 3420800 | 1212303406        |
| 3.425 / 87.00                                                  | 1.375           | -19.0      | 9.10        | 356            | 3420820 | 1212303425        |
| 3.4055 / 86.50                                                 | 1.375           | -11.0      | 10.00       | TBD            | 3420850 | 1212303406        |
| 3.425 / 87.00                                                  | 1.375           | -11.0      | 10.10       | TBD            | 3420870 | 1212303425        |

## MITSUBISHI G54B 2.6L

Stock Bore: 3.586/91.08 \* Stroke: 3.858 \* Rod: 6.535 \* Head cc: 64

\* Gasket: .052 PIN 866X2350 Starion, Conquest

| Bore:<br>Inch/mm                                               | Comp.<br>Height | Dome<br>CC | Compression | Gram<br>Weight | Part #  | Rings<br>Included |
|----------------------------------------------------------------|-----------------|------------|-------------|----------------|---------|-------------------|
| <b>Dish Top</b> <span style="float:right">Turbo/Nitrous</span> |                 |            |             |                |         |                   |
| 3.622 / 92.00                                                  | 1.390           | -9.2       | 8.75        | 394            | 3420501 | 1215403622        |

## MITSUBISHI 4G93

Stock Bore: 3.189/81 \* Stroke: 3.504 \* Rod Length: 5.250 \*

Head cc: 45.5 PIN 748X2350 1997-02 Mirage & Lancer

| Bore:<br>Inch/mm                                               | Comp.<br>Height | Dome<br>CC | Compression | Gram<br>Weight | Part #  | Rings<br>Included |
|----------------------------------------------------------------|-----------------|------------|-------------|----------------|---------|-------------------|
| <b>Dish Top</b> <span style="float:right">Turbo/Nitrous</span> |                 |            |             |                |         |                   |
| 3.209 / 81.50                                                  | 1.210           | -9.2       | 8.50        | 292            | 3420710 | 1212303209        |
| 3.209 / 81.50                                                  | 1.195           | -5.5       | 9.00        | 294            | 3420720 | 1212303209        |
| 3.2283 / 82.00                                                 | 1.195           | -5.5       | 9.10        | 301            | 3420740 | 1212303228        |

## NISSAN CA18DET 1.8L 16 valve

Stock Bore: 3.268/83 \* Stroke: 3.291 \* Rod: 5.236 \* Head cc: 51

PIN 787X2350

| Bore:<br>Inch/mm                                               | Comp.<br>Height | Dome<br>CC | Compression | Gram<br>Weight | Part #  | Rings<br>Included |
|----------------------------------------------------------------|-----------------|------------|-------------|----------------|---------|-------------------|
| <b>Dish Top</b> <span style="float:right">Turbo/Nitrous</span> |                 |            |             |                |         |                   |
| 3.287 / 83.50                                                  | 1.181           | -5.0       | 8.40        | 316            | 3520600 | 1212303267        |
| 3.307 / 84.00                                                  | 1.181           | -5.0       | 8.50        | 360            | 3520610 | 1212403307        |

## NISSAN KA24DE 2.4L DOHC 16 valve

Stock Bore: 3.504/89 \* Stroke: 3.780 \* Rod: 6.496 \* Head cc: 43

PIN 827X2350

| Bore:<br>Inch/mm                                                   | Comp.<br>Height | Dome<br>CC | Compression | Gram<br>Weight | Part #  | Rings<br>Included |
|--------------------------------------------------------------------|-----------------|------------|-------------|----------------|---------|-------------------|
| <b>Dish Top</b> <span style="float:right">Turbo/Nitrous</span>     |                 |            |             |                |         |                   |
| 3.504 / 89.00                                                      | 1.340           | -11.5      | 8.70        | TBD            | 3520300 | 1515403504        |
| 3.524 / 89.50                                                      | 1.340           | -11.5      | 8.80        | TBD            | 3520400 | 1515403524        |
| <b>Dish Top</b> <span style="float:right">All Motor/Nitrous</span> |                 |            |             |                |         |                   |
| 3.504 / 89.00                                                      | 1.340           | 10.4       | 10.70       | TBD            | 3530100 | 1012283504        |
| 3.524 / 89.50                                                      | 1.340           | 10.4       | 10.80       | TBD            | 3530120 | 1012283524        |

## NISSAN KA24E 2.4L SOHC 12 valve

Stock Bore: 3.504/89 \* Stroke: 3.780 \* Rod: 6.496 \* Head cc: 62

PIN 827X2350

| Bore:<br>Inch/mm                                                   | Comp.<br>Height | Dome<br>CC | Compression | Gram<br>Weight | Part #  | Rings<br>Included |
|--------------------------------------------------------------------|-----------------|------------|-------------|----------------|---------|-------------------|
| <b>Dish Top</b> <span style="float:right">Turbo/Nitrous</span>     |                 |            |             |                |         |                   |
| 3.504 / 89.00                                                      | 1.340           | -11.5      | 8.70        | TBD            | 3520300 | 1515403504        |
| 3.524 / 89.50                                                      | 1.340           | -11.5      | 8.80        | TBD            | 3520400 | 1515403524        |
| <b>Dome Top</b> <span style="float:right">All Motor/Nitrous</span> |                 |            |             |                |         |                   |
| 3.504 / 89.00                                                      | 1.340           | 10.4       | 10.70       | TBD            | 3530100 | 1012283504        |
| 3.524 / 89.50                                                      | 1.340           | 10.4       | 10.80       | TBD            | 3530120 | 1012283524        |

## NISSAN RB20

Stock Bore: 3.071/78 \* Stroke: 2.744 \* Rod: 5.366 \* Head cc: 46.5

PIN 827X2350

| Bore:<br>Inch/mm                                               | Comp.<br>Height | Dome<br>CC | Compression | Gram<br>Weight | Part #  | Rings<br>Included |
|----------------------------------------------------------------|-----------------|------------|-------------|----------------|---------|-------------------|
| <b>Dish Top</b> <span style="float:right">Turbo/Nitrous</span> |                 |            |             |                |         |                   |
| 3.091 / 78.50                                                  | 1.260           | -2.0       | 8.50        | 302            | 3530550 | 1215403091        |
| 3.110 / 79.00                                                  | 1.260           | -2.0       | 8.60        | 304            | 3530560 | 1215403110        |

## NISSAN RB25

Stock Bore: 3.386/86 \* Stroke: 2.823 \* Rod: 4.783 \* Head cc: 66.5

PIN 827X2350

| Bore:<br>Inch/mm                                               | Comp.<br>Height | Dome<br>CC | Compression | Gram<br>Weight | Part #  | Rings<br>Included |
|----------------------------------------------------------------|-----------------|------------|-------------|----------------|---------|-------------------|
| <b>Dish Top</b> <span style="float:right">Turbo/Nitrous</span> |                 |            |             |                |         |                   |
| 3.386 / 86.00                                                  | 1.235           | 12.5       | 8.00        | 360            | 3530400 | 1212303386        |
| 3.386 / 86.00                                                  | 1.235           | 25         | 10.00       | TBD            | 3532500 | 1212303386        |
| 3.406 / 86.50                                                  | 1.235           | 12.5       | 8.10        | 366            | 3530510 | 1215303406        |
| 3.406 / 86.50                                                  | 1.235           | 25         | 10.10       | TBD            | 3532520 | 1212303406        |
| 3.425 / 87.00                                                  | 1.235           | 12.5       | 9.10        | 373            | 3530530 | 1215303425        |
| 3.425 / 87.00                                                  | 1.235           | 25         | 10.20       | TBD            | 3532540 | 1212303425        |

## NISSAN RB26

Stock Bore: 3.386/86 \* Stroke: 2.901 \* Rod: 4.783 \* Head cc: 70

PIN 827X2350

| Bore:<br>Inch/mm                                               | Comp.<br>Height | Dome<br>CC | Compression | Gram<br>Weight | Part #  | Rings<br>Included |
|----------------------------------------------------------------|-----------------|------------|-------------|----------------|---------|-------------------|
| <b>Dish Top</b> <span style="float:right">Turbo/Nitrous</span> |                 |            |             |                |         |                   |
| 3.386 / 86.00                                                  | 1.185           | 16         | 8.00        | 372            | 3630610 | 1215303386        |
| 3.386 / 86.00                                                  | 1.185           | 25.2       | 10.00       | TBD            | 3532600 | 1212303386        |
| 3.406 / 86.50                                                  | 1.185           | 15.4       | 8.00        | 377            | 3530630 | 1215303406        |
| 3.406 / 86.50                                                  | 1.185           | 25.2       | 10.10       | TBD            | 3532620 | 1212303406        |
| 3.425 / 87.00                                                  | 1.185           | 14.7       | 8.00        | 384            | 3530650 | 1215303425        |
| 3.425 / 87.00                                                  | 1.185           | 25.2       | 10.20       | TBD            | 3532640 | 1212303425        |

## NISSAN RB30

Stock Bore: 3.386/86 \* Stroke: 3.346 \* Rod: 6.004 \* Head cc: 70

PIN 827X2350

| Bore:<br>Inch/mm                                               | Comp.<br>Height | Dome<br>CC | Compression | Gram<br>Weight | Part #  | Rings<br>Included |
|----------------------------------------------------------------|-----------------|------------|-------------|----------------|---------|-------------------|
| <b>Dish Top</b> <span style="float:right">Turbo/Nitrous</span> |                 |            |             |                |         |                   |
| 3.406 / 86.50                                                  | 1.280           | -10.4      | TBD         | 355            | 3530660 | 1215303406        |
| 3.425 / 87.00                                                  | 1.280           | -10.4      | TBD         | 365            | 3530670 | 1215303425        |

## NISSAN RB30 with RB25 Head

Stock Bore: 3.386, 86.0mm \* Stroke: 3.346 \* Rod: 6.004 \*

Head cc: 66.5

| Bore:<br>Inch/mm                                               | Comp.<br>Height | Dome<br>CC | Compression | Gram<br>Weight | Part #  | Rings<br>Included |
|----------------------------------------------------------------|-----------------|------------|-------------|----------------|---------|-------------------|
| <b>Dish Top</b> <span style="float:right">Turbo/Nitrous</span> |                 |            |             |                |         |                   |
| 3.406 / 86.50                                                  | 1.280           | 12.8       | TBD         | TBD            | 3530680 | 1515403406        |

## NISSAN SR20DET 2.0L DOHC

Stock Bore: 3.386/86 \* Stroke: 3.386 \* Rod: 5.366 \* Head cc: 46.5

PIN 866X2350

| Bore:<br>Inch/mm                                               | Comp.<br>Height | Dome<br>CC | Compression | Gram<br>Weight | Part #  | Rings<br>Included |
|----------------------------------------------------------------|-----------------|------------|-------------|----------------|---------|-------------------|
| <b>Dish Top</b> <span style="float:right">Turbo/Nitrous</span> |                 |            |             |                |         |                   |
| 3.386 / 86.00                                                  | 1.260           | -13.8      | 8.50        | 331            | 3520090 | 1212303386        |
| 3.4055 / 86.50                                                 | 1.260           | -13.8      | 8.50        | 340            | 3520095 | 1212303406        |
| 3.4055 / 86.50                                                 | 1.260           | -10.4      | 9.00        | 337            | 3520101 | 1212303406        |
| 3.425 / 87.00                                                  | 1.260           | -15.0      | 8.50        | 342            | 3520110 | 1212303425        |



# SPORT COMPACT CATALOG

## NISSAN SR20VE, SR20VET 2.0L DOHC

| <b>Stock Bore: 3.386/86 * Stroke: 3.386 * Rod: 5.366 *</b> |        |       |        |                      |          |            |
|------------------------------------------------------------|--------|-------|--------|----------------------|----------|------------|
| <b>Head cc: 41.6 PIN 866X2350</b>                          |        |       |        | <b>1997-07</b>       |          |            |
| Bore:                                                      | Comp.  | Dome  | Gram   | Part #               | Rings    |            |
| Inch/mm                                                    | Height | CC    | Weight |                      | Included |            |
| <b>Dish Top</b>                                            |        |       |        | <b>Turbo/Nitrous</b> |          |            |
| 3.386 / 86.00                                              | 1.260  | -13.8 | 9.20   | 331                  | 3520090  | 1212303386 |
| 3.4055 / 86.50                                             | 1.260  | -14.6 | 9.10   | 340                  | 3520095  | 1212303406 |
| 3.4055 / 86.50                                             | 1.260  | -10.5 | 9.65   | 337                  | 3520101  | 1212303406 |
| 3.425 / 87.00                                              | 1.260  | -15   | 9.10   | 342                  | 3520110  | 1212303425 |

## NISSAN VG30DE, VG30DETT 3.0L DOHC

| <b>Stock Bore: 3.425/87 * Stroke: 3.270 * Rod: 6.071 * Head cc: 49.5</b> |        |      |        |                          |          |            |
|--------------------------------------------------------------------------|--------|------|--------|--------------------------|----------|------------|
| <b>PIN 866X2350</b>                                                      |        |      |        | <b>1990-96 300ZX</b>     |          |            |
| Bore:                                                                    | Comp.  | Dome | Gram   | Part #                   | Rings    |            |
| Inch/mm                                                                  | Height | CC   | Weight |                          | Included |            |
| <b>Dish Top</b>                                                          |        |      |        | <b>All Motor/Nitrous</b> |          |            |
| 3.445 / 87.50                                                            | 1.255  | -5.8 | 9.00   | TBD                      | 3520001  | 1212303445 |
| 3.445 / 87.50                                                            | 1.255  | 2.7  | 10.60  | TBD                      | 3530000  | 1515403445 |

## NISSAN VQ35DE 3.5L DOHC

| <b>Stock Bore: 3.760/95.5 * Stroke: 3.205 * Rod: 5.669 *</b> |        |       |        |                                          |          |            |
|--------------------------------------------------------------|--------|-------|--------|------------------------------------------|----------|------------|
| <b>Head cc: 57 PIN 866X2350</b>                              |        |       |        | <b>2000-UP 350Z, G35, Maxima, Altima</b> |          |            |
| Bore:                                                        | Comp.  | Dome  | Gram   | Part #                                   | Rings    |            |
| Inch/mm                                                      | Height | CC    | Weight |                                          | Included |            |
| <b>Dish Top</b>                                              |        |       |        | <b>Turbo/Nitrous</b>                     |          |            |
| 3.760 / 95.50                                                | 1.174  | -15.0 | 8.50   | 367                                      | 3520201  | 1212303760 |
| 3.780 / 96.00                                                | 1.174  | -15.0 | 8.60   | 356                                      | 3520211  | 1212303780 |
| 3.780 / 96.00                                                | 1.170  | -8.8  | 9.10   | TBD                                      | 3520212  | 1212303780 |

## NISSAN VR38DETT 3.8L DOHC

| <b>Stock Bore: 3.760/95.5 * Stroke: 3.480 * Rod: 6.496 *</b> |        |      |        |                      |          |            |
|--------------------------------------------------------------|--------|------|--------|----------------------|----------|------------|
| <b>Head cc: 64 PIN 905X2500</b>                              |        |      |        | <b>GTR 2007-UP</b>   |          |            |
| Bore:                                                        | Comp.  | Dome | Gram   | Part #               | Rings    |            |
| Inch/mm                                                      | Height | CC   | Weight |                      | Included |            |
| <b>Dish Top</b>                                              |        |      |        | <b>Turbo/Nitrous</b> |          |            |
| 3.760 / 95.50                                                | 1.350  | 0.5  | 9.50   | 423                  | 3530200  | 1212303760 |
| 3.780 / 96.00                                                | 1.350  | 0.5  | 9.60   | 437                  | 3530300  | 1212303780 |

## OPEL C20LET 2.0L DOHC

| <b>Stock Bore: 3.386/86 * Stroke: 3.386 * Rod: 5.630 * Head cc: 43</b> |        |       |        |                      |          |            |
|------------------------------------------------------------------------|--------|-------|--------|----------------------|----------|------------|
| <b>PIN 827X2350</b>                                                    |        |       |        |                      |          |            |
| Bore:                                                                  | Comp.  | Dome  | Gram   | Part #               | Rings    |            |
| Inch/mm                                                                | Height | CC    | Weight |                      | Included |            |
| <b>Dish Top</b>                                                        |        |       |        | <b>Turbo/Nitrous</b> |          |            |
| 3.392 / 86.16                                                          | 1.200  | -22.0 | 8.00   | 309                  | 4320100  | 1515303392 |
| 3.4055 / 86.50                                                         | 1.200  | -22.0 | 8.00   | 318                  | 4320110  | 1212303406 |
| 3.392 / 86.16                                                          | 1.200  | -9.6  | 9.45   | 330                  | 4320120  | 1515303392 |
| 3.4055 / 86.50                                                         | 1.200  | -9.6  | 9.50   | 335                  | 4320130  | 1212303406 |

## SUBARU EJ20 2.0L DOHC

| <b>Stock Bore: 3.622/92 * Stroke: 2.953 * Rod: 5.137 *</b> |        |       |        |                      |          |            |
|------------------------------------------------------------|--------|-------|--------|----------------------|----------|------------|
| <b>Head cc: 45 PIN 905X2500</b>                            |        |       |        | <b>2001-03 WRX</b>   |          |            |
| Bore:                                                      | Comp.  | Dome  | Gram   | Part #               | Rings    |            |
| Inch/mm                                                    | Height | CC    | Weight |                      | Included |            |
| <b>Dish Top</b>                                            |        |       |        | <b>Turbo/Nitrous</b> |          |            |
| 3.642 / 92.50                                              | 1.289  | -27.0 | 7.30   | 351                  | 3620200  | 1215403642 |
| 3.642 / 92.50                                              | 1.289  | -12.6 | 8.70   | 385                  | 3620201  | 1215403642 |

## SUBARU EJ20 2.0L DOHC-90.25mm Stroker

| <b>Stock Bore: 3.622/92 * Stroke: 3.553 * Rod: 6.457 *</b> |        |       |        |                      |          |            |
|------------------------------------------------------------|--------|-------|--------|----------------------|----------|------------|
| <b>Head cc: 45</b>                                         |        |       |        | <b>2001-03 WRX</b>   |          |            |
| Bore:                                                      | Comp.  | Dome  | Gram   | Part #               | Rings    |            |
| Inch/mm                                                    | Height | CC    | Weight |                      | Included |            |
| <b>Dish Top</b>                                            |        |       |        | <b>Turbo/Nitrous</b> |          |            |
| 3.622 / 92.00                                              | 1.289  | -26.5 | 8.50   | 366                  | 3620400  | 1215403622 |
| 3.662 / 93.00                                              | 1.289  | -14.5 | 10.00  | 376                  | 3620410  | 1215403662 |

## SUBARU EJ25 2.5L DOHC

| <b>Stock Bore: 3.917/99.5 * Stroke: 3.110 * Rod: 5.137 *</b> |        |       |        |                           |          |            |
|--------------------------------------------------------------|--------|-------|--------|---------------------------|----------|------------|
| <b>Head cc: 48 PIN 905X2500</b>                              |        |       |        | <b>1997-98 Impreza RS</b> |          |            |
| Bore:                                                        | Comp.  | Dome  | Gram   | Part #                    | Rings    |            |
| Inch/mm                                                      | Height | CC    | Weight |                           | Included |            |
| <b>Inverted Dome Top</b>                                     |        |       |        | <b>Turbo/Nitrous</b>      |          |            |
| 3.937 / 100.00                                               | 1.190  | -15.0 | 9.50   | 419                       | 3620100  | 1215283937 |

## SUBARU EJ25 2.5L SOHC

| <b>Stock Bore: 3.917/99.5 * Stroke: 3.110 * Rod: 5.167 *</b> |        |       |        |                        |          |            |
|--------------------------------------------------------------|--------|-------|--------|------------------------|----------|------------|
| <b>Head cc: 51 PIN 905X2500</b>                              |        |       |        | <b>1999-UP Impreza</b> |          |            |
| Bore:                                                        | Comp.  | Dome  | Gram   | Part #                 | Rings    |            |
| Inch/mm                                                      | Height | CC    | Weight |                        | Included |            |
| <b>Inverted Dome Top</b>                                     |        |       |        | <b>Turbo/Nitrous</b>   |          |            |
| 3.917 / 99.50                                                | 1.160  | -23.3 | 8.30   | 374                    | 3620000  | 1215283917 |

## SUBARU EJ257 2.5L SOHC

| <b>Stock Bore: 3.917/99.5 * Stroke: 3.110 * Rod: 5.137 *</b> |        |       |        |                        |          |            |
|--------------------------------------------------------------|--------|-------|--------|------------------------|----------|------------|
| <b>Head cc: 51 PIN 905X2500</b>                              |        |       |        | <b>2004-UP WRX STI</b> |          |            |
| Bore:                                                        | Comp.  | Dome  | Gram   | Part #                 | Rings    |            |
| Inch/mm                                                      | Height | CC    | Weight |                        | Included |            |
| <b>Inverted Dome Top</b>                                     |        |       |        | <b>Turbo/Nitrous</b>   |          |            |
| 3.9175 / 99.50                                               | 1.208  | -16.0 | 8.60   | 406                    | 3620301  | 1215283917 |
| 3.9175 / 99.50                                               | 1.208  | -8.8  | 9.40   | 405                    | 3620325  | 1212203917 |
| 3.920 / 99.57                                                | 1.208  | -16.0 | 8.60   | 413                    | 3620301  | 1215283917 |
| 3.927 / 99.75                                                | 1.208  | -16.0 | 8.70   | 403                    | 3620315  | 1215283927 |
| 3.927 / 99.75                                                | 1.208  | -8.4  | 9.50   | TBD                    | 3620330  | 1215283927 |
| 3.937 / 100.00                                               | 1.208  | -16.0 | 8.70   | 411                    | 3620311  | 1215283937 |
| 3.937 / 100.00                                               | 1.208  | -8.4  | 9.50   | 410                    | 3620335  | 1212203937 |

## SUBARU BRZ FA20 (Toyota FR-S GT860)

| <b>Stock Bore: 3.386/86 * Stroke: 86 * Rod: 129.3 * Head cc: 39</b> |        |       |        |                         |          |            |
|---------------------------------------------------------------------|--------|-------|--------|-------------------------|----------|------------|
| <b>PIN 866X2350</b>                                                 |        |       |        | <b>Toyota FR-S GT86</b> |          |            |
| Bore:                                                               | Comp.  | Dome  | Gram   | Part #                  | Rings    |            |
| Inch/mm                                                             | Height | CC    | Weight |                         | Included |            |
| <b>Inverted Dome Top</b>                                            |        |       |        | <b>Turbo/Nitrous</b>    |          |            |
| 3.386 / 86.00                                                       | 1.280  | -10.5 | 10.00  | 317                     | 3728620  | 1212303386 |
| 3.4055 / 86.50                                                      | 1.280  | -10.5 | 10.10  | 317                     | 3728640  | 1212303406 |

## TOYOTA 1GRFE 4.0L

| <b>Stock Bore: 3.701/94 * Stroke: 3.740/95 * Rod: 6.299 *</b> |        |       |        |                                                                  |          |            |
|---------------------------------------------------------------|--------|-------|--------|------------------------------------------------------------------|----------|------------|
| <b>Head cc: 48.5 PIN 866X2350</b>                             |        |       |        | <b>2003-UP Land Cruiser, 4Runner, FJ Cruiser, Tacoma, Tundra</b> |          |            |
| Bore:                                                         | Comp.  | Dome  | Gram   | Part #                                                           | Rings    |            |
| Inch/mm                                                       | Height | CC    | Weight |                                                                  | Included |            |
| <b>Inverted Dome Top</b>                                      |        |       |        | <b>Turbo/Nitrous</b>                                             |          |            |
| 3.701 / 94.00                                                 | 1.280  | -16.6 | 10.00  | 404                                                              | 3720500  | 1215303701 |
| 3.7205 / 94.50                                                | 1.280  | -17.3 | 10.00  | 411                                                              | 3720510  | 1215303720 |

# ARIAS PISTONS

## TOYOTA 1NZ-FE 1.5L

Stock Bore: 2.953/75 \* Stroke: 3.334/84.7 \* Rod: 5.543 \* Head cc: 28.5 PIN 708X2050

| Bore: Inch/mm                 | Comp. Height | Dome CC | Compression | Gram Weight | Part #  | Rings Included |
|-------------------------------|--------------|---------|-------------|-------------|---------|----------------|
| <b>Dish Top</b> Turbo/Nitrous |              |         |             |             |         |                |
| 2.955 / 75.06                 | 1.088        | -12.7   | 9.00        | 238         | 3720700 | 1012282954     |
| 2.973 / 75.50                 | 1.088        | -13.2   | 9.00        | 243         | 3720750 | 1012282973     |
| <b>Dome Top</b>               |              |         |             |             |         |                |
| 2.955 / 75.06                 | 1.088        | -2.1    | 12.00       | 225         | 3730700 | 1012282954     |
| 2.973 / 75.50                 | 1.088        | -2.5    | 12.00       | 229         | 3730750 | 1012282973     |

## TOYOTA 3RZ-FE

Stock Bore: 3.740/95 \* Stroke: 3.740 \* Rod: 5.785 \* Head cc: 58 PIN 945X2500

| Bore: Inch/mm                 | Comp. Height | Dome CC | Compression | Gram Weight | Part #  | Rings Included |
|-------------------------------|--------------|---------|-------------|-------------|---------|----------------|
| <b>Flat Top</b> Turbo/Nitrous |              |         |             |             |         |                |
| 3.740 / 95.00                 | 1.476        | -17.0   | 9.00        | 439         | 3720370 | 1515403740     |
| 3.740 / 95.00                 | 1.476        | -7.5    | 10.00       | TBD         | 3720380 | 1515403740     |
| 3.760 / 95.50                 | 1.476        | -23.5   | 8.50        | 430         | 3720350 | 1515403760     |
| 3.760 / 95.50                 | 1.476        | -17.0   | 9.10        | TBD         | 3720375 | 1515403740     |
| 3.760 / 95.50                 | 1.476        | -7.5    | 10.10       | 457         | 3720390 | 1515403760     |

## TOYOTA 2AZFE DOHC

Stock Bore: 3.484/88.5 \* Stroke: 3.780 \* Rod: 5.886 \* Head cc: 40 PIN 866X2350

| Bore: Inch/mm   | Comp. Height | Dome CC | Compression | Gram Weight | Part #  | Rings Included |
|-----------------|--------------|---------|-------------|-------------|---------|----------------|
| <b>Dish Top</b> |              |         |             |             |         |                |
| 3.4845 / 88.50  | 1.300        | -28.5   | 8.90        | 365         | 3720400 | 1515403484     |
| 3.504 / 89.00   | 1.300        | -28.5   | 9.00        | 370         | 3720410 | 1515403504     |

## TOYOTA 3SGTE 2.0L

Stock Bore: 3.386/86 \* Stroke: 3.386 \* Rod: 5.433 \* Head cc: 53 PIN 866X2350

| Bore: Inch/mm                 | Comp. Height | Dome CC | Compression | Gram Weight | Part #  | Rings Included |
|-------------------------------|--------------|---------|-------------|-------------|---------|----------------|
| <b>Dish Top</b> Turbo/Nitrous |              |         |             |             |         |                |
| 3.4055 / 86.50                | 1.375        | -2.5    | 8.70        | 372         | 3710090 | 1212303406     |
| 3.425 / 87.00                 | 1.375        | -5.3    | 8.50        | 364         | 3710102 | 1212303425     |

## TOYOTA 2JZGTE 3.0L

Stock Bore: 3.386/86 \* Stroke: 3.386 \* Rod: 5.590 \* Head cc: 45 PIN 866X2350

| Bore: Inch/mm                 | Comp. Height | Dome CC | Compression | Gram Weight | Part #  | Rings Included |
|-------------------------------|--------------|---------|-------------|-------------|---------|----------------|
| <b>Dish Top</b> Turbo/Nitrous |              |         |             |             |         |                |
| 3.386 / 86.00                 | 1.338        | -9.0    | 9.00        | 353         | 3720190 | 1212303386     |
| 3.4055 / 86.50                | 1.338        | -10.0   | 8.90        | 355         | 3720202 | 1212303406     |
| 3.425 / 87.00                 | 1.338        | -10.0   | 9.00        | 362         | 3720212 | 1212303425     |
| <b>Dome Top</b> Turbo/Nitrous |              |         |             |             |         |                |
| 3.386 / 86.00                 | 1.338        | -2.5    | 9.90        | 365         | 3732200 | 1212303386     |
| 3.386 / 86.00                 | 1.338        | 2.7     | 11.00       | TBD         | 3739200 | 1515303386     |
| 3.4055 / 86.50                | 1.338        | -2.5    | 10.00       | 373         | 3732220 | 1212303406     |
| 3.4055 / 86.50                | 1.338        | 2.1     | 11.00       | 412         | 3739220 | 1515303406     |
| 3.425 / 87.00                 | 1.338        | -2.5    | 10.20       | 382         | 3732240 | 1212303425     |

## TOYOTA 3TC 1.8L SOHC

Stock Bore: 3.346/85 \* Stroke: 3.070 \* Rod: 4.840 \* Head cc: 63 PIN 866X2350

| Bore: Inch/mm                 | Comp. Height | Dome CC | Compression | Gram Weight | Part #  | Rings Included |
|-------------------------------|--------------|---------|-------------|-------------|---------|----------------|
| <b>Dome Top</b> Turbo/Nitrous |              |         |             |             |         |                |
| 3.4055 / 86.50                | 1.375        | 13.3    | 9.00        | TBD         | 3730241 | 1212303406     |
| 3.425 / 87.00                 | 1.375        | 12.6    | 9.00        | TBD         | 3730252 | 1212303425     |
| 3.504 / 89.00                 | 1.375        | 10.3    | 9.00        | TBD         | 3730203 | 1212303504     |
| <b>Dome Top</b> All Motor     |              |         |             |             |         |                |
| 3.386 / 86.00                 | 1.375        | 27.1    | 11.50       | 380         | 3730001 | 1012283386     |
| 3.4055 / 86.50                | 1.375        | 26.7    | 11.50       | 381         | 3730030 | 1012283406     |
| 3.425 / 87.00                 | 1.375        | 24.5    | 11.10       | 380         | 3730050 | 1012283425     |
| 3.504 / 89.00                 | 1.375        | 27.1    | 12.10       | 396         | 3730101 | 1012283504     |

## TOYOTA 2RZFE

Stock Bore: 3.740/95 \* Stroke: 3.386/86 \* Rod: 5.315 \* Head cc: 64 PIN 945X2500

| Bore: Inch/mm                 | Comp. Height | Dome CC | Compression | Gram Weight | Part #  | Rings Included |
|-------------------------------|--------------|---------|-------------|-------------|---------|----------------|
| <b>Flat Top</b> Turbo/Nitrous |              |         |             |             |         |                |
| 3.740 / 95.00                 | 1.398        | -3.0    | 9.00        | 446         | 3720320 | 1515403740     |
| 3.760 / 95.50                 | 1.398        | -9.0    | 8.50        | 439         | 3720300 | 1515403760     |

## TOYOTA 4AGE/4AGZE 1.6L

16 VALVE DOHC Stock Bore: 3.189/81 \* Stroke: 3.031 \* Rod: 4.804 \* Head cc: 39 PIN 787X2350

| Bore: Inch/mm                 | Comp. Height | Dome CC | Compression | Gram Weight | Part #   | Rings Included |
|-------------------------------|--------------|---------|-------------|-------------|----------|----------------|
| <b>Dish Top</b> Turbo/Nitrous |              |         |             |             |          |                |
| 3.209 / 81.50                 | 1.210        | -14.0   | 8.00        | 278         | 3721010  | 1212303209     |
| 3.209 / 81.50                 | 1.201        | -13.8   | 8.20        | 278         | AP331669 | 1515403209     |
| 3.209 / 81.50                 | 1.210        | -7.9    | 9.00        | 290         | 3721020  | 1212303209     |
| 3.209 / 81.50                 | 1.210        | -4.8    | 9.50        | 289         | 3721070  | 1212303209     |
| 3.2283 / 82.00                | 1.210        | -5.5    | 9.50        | 293         | 3721090  | 1212303228     |
| <b>Dome Top</b> Turbo/Nitrous |              |         |             |             |          |                |
| 3.209 / 81.50                 | 1.210        | .2      | 10.50       | 300         | 3731020  | 1212303209     |
| 3.2283 / 82.00                | 1.210        | -4      | 10.50       | 304         | 3731040  | 1212303228     |
| <b>Dome Top</b> All Motor     |              |         |             |             |          |                |
| 3.209 / 81.50                 | 1.210        | 4.2     | 11.50       | 296         | 3731220  | 1012283209     |
| 3.209 / 81.50                 | 1.210        | 7.5     | 12.50       | 300         | 3731320  | 1012283209     |
| 3.209 / 81.50                 | 1.190        | 7.5     | TBD         | 288         | 3730300  | 1012283209     |
| 3.2283 / 82.00                | 1.210        | 7.1     | 12.50       | 304         | 3731340  | 1012283228     |

## TOYOTA 2ZZGE

Stock Bore: 3.2283/82 \* Stroke: 3.346 \* Rod: 5.433 \* Head cc: 40.3 PIN 787X2350

| Bore: Inch/mm                 | Comp. Height | Dome CC | Compression | Gram Weight | Part #  | Rings Included |
|-------------------------------|--------------|---------|-------------|-------------|---------|----------------|
| <b>Flat Top</b> Turbo/Nitrous |              |         |             |             |         |                |
| 3.2283 / 82.00                | 1.228        | 1.6     | 11.50       | TBD         | 3730600 | 1012283228     |
| 3.248 / 82.50                 | 1.228        | 1.6     | 11.60       | TBD         | 3730610 | 1012283248     |

# SPORT COMPACT CATALOG

## TOYOTA 4AGE 1.6L 20 VALVE DOHC

| <b>Stock Bore: 3.189/81 * Stroke: 3.031 * Rod: 4.810 *</b> |              |         |                           |                                           |         |                |
|------------------------------------------------------------|--------------|---------|---------------------------|-------------------------------------------|---------|----------------|
| <b>Head cc: 37.8 PIN 787X2350</b>                          |              |         |                           | 20 Valve Black Top (BT) / Silver Top (ST) |         |                |
| Bore: Inch/mm                                              | Comp. Height | Dome CC | Compression Silver 34.5cc | Gram Weight                               | Part #  | Rings Included |
| <b>Dish Top Turbo/Nitrous</b>                              |              |         |                           |                                           |         |                |
| 3.209 / 81.50                                              | 1.209        | -9.0    | 9.20                      | TBD                                       | 3720051 | 1212303209     |
| <b>Dome Top All Motor/Nitrous</b>                          |              |         |                           |                                           |         |                |
| 3.209 / 81.50                                              | 1.209        | 0.2     | 11.30                     | TBD                                       | 3730400 | 1012283209     |

## TOYOTA 4EFTE

| <b>Stock Bore: 2.913/74 * Stroke: 3.047/77.4 * Rod: 4.646 *</b> |              |         |             |             |         |                |
|-----------------------------------------------------------------|--------------|---------|-------------|-------------|---------|----------------|
| <b>Head cc: 35 PIN 708X2050</b>                                 |              |         |             |             |         |                |
| Bore: Inch/mm                                                   | Comp. Height | Dome CC | Compression | Gram Weight | Part #  | Rings Included |
| <b>Dish Top Turbo/Nitrous</b>                                   |              |         |             |             |         |                |
| 2.9134 / 74.00                                                  | 1.180        | -4.0    | 8.50        | 251         | 3720600 | 1212302913     |
| 2.9134 / 74.00                                                  | 1.180        | -2.0    | 8.70        | TBD         | 3710200 | 1212302913     |
| 2.933 / 74.50                                                   | 1.180        | -4.0    | 8.50        | 254         | 3720620 | 1212302933     |
| 2.933 / 74.50                                                   | 1.180        | -2.6    | 8.70        | TBD         | 3710210 | 1212302933     |

## TOYOTA 7AFE 1.8L DOHC

| <b>Stock Bore: 3.189/81 * Stroke: 3.031 * Rod: 4.810 *</b> |              |         |                           |                         |         |                |
|------------------------------------------------------------|--------------|---------|---------------------------|-------------------------|---------|----------------|
| <b>Head cc: 39</b>                                         |              |         |                           | 1990-UP Celica, Corolla |         |                |
| Bore: Inch/mm                                              | Comp. Height | Dome CC | Compression Silver 34.5cc | Gram Weight             | Part #  | Rings Included |
| <b>Flat Top Turbo/Nitrous</b>                              |              |         |                           |                         |         |                |
| 3.228 / 82.00                                              | 1.190        | -4.3    | 10.30                     | TBD                     | 3710002 | 1212303228     |
| <b>Dome Top All Motor</b>                                  |              |         |                           |                         |         |                |
| 3.209 / 81.50                                              | 1.190        | 7.2     | 13.50                     | 288                     | 3730300 | 1012283209     |

## TOYOTA 7MGTE 3.0L

| <b>Stock Bore: 3.267/83 * Stroke: 3.582 * Rod: 5.984 *</b> |              |         |             |               |         |                |
|------------------------------------------------------------|--------------|---------|-------------|---------------|---------|----------------|
| <b>Head cc: 40 PIN 866X2350</b>                            |              |         |             | 1987-92 Supra |         |                |
| Bore: Inch/mm                                              | Comp. Height | Dome CC | Compression | Gram Weight   | Part #  | Rings Included |
| <b>Inverted Dome Top Turbo/Nitrous</b>                     |              |         |             |               |         |                |
| 3.287 / 83.50                                              | 1.299        | -16.0   | 8.90        | 315           | 3720001 | 1212303287     |
| 3.287 / 83.50                                              | 1.299        | -9.2    | 10.00       | TBD           | 3720010 | 1212303287     |
| 3.307 / 84.00                                              | 1.299        | -16.0   | 9.00        | 316           | 3720101 | 1212303307     |
| 3.307 / 84.00                                              | 1.299        | -9.2    | 10.10       | TBD           | 3720110 | 1212303307     |

## TOYOTA FR-S GT86/Subaru BRZ FA20

| <b>Stock Bore: 3.386/86 * Stroke: 86 * Rod: 129.3 * Head cc: 39 PIN 866X2350</b> |              |         |             |             |         |                |
|----------------------------------------------------------------------------------|--------------|---------|-------------|-------------|---------|----------------|
| Bore: Inch/mm                                                                    | Comp. Height | Dome CC | Compression | Gram Weight | Part #  | Rings Included |
| <b>Inverted Dome Top Turbo/Nitrous</b>                                           |              |         |             |             |         |                |
| 3.386 / 86.00                                                                    | 1.280        | -10.5   | 10.00       | 317         | 3728620 | 1212303386     |
| 3.4055 / 86.50                                                                   | 1.280        | -10.5   | 10.10       | 317         | 3728640 | 1212303406     |

## VW 2.0L ABA 8 valve

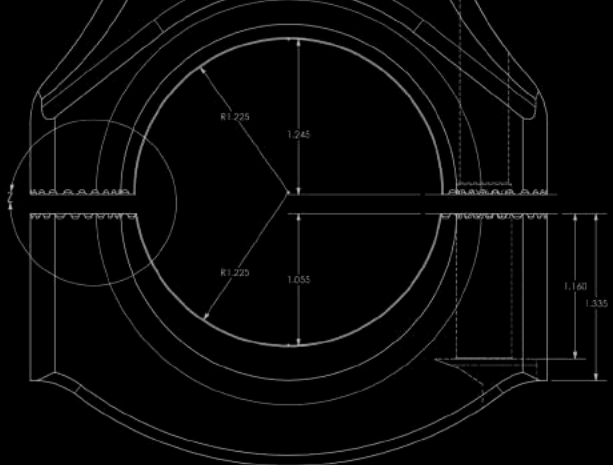
| <b>Stock Bore: 3.248/82.5 * Stroke: 3.654 * Rod: 6.260 *</b> |              |         |             |             |         |                |
|--------------------------------------------------------------|--------------|---------|-------------|-------------|---------|----------------|
| <b>Head cc: 30 PIN 827X2350</b>                              |              |         |             |             |         |                |
| Bore: Inch/mm                                                | Comp. Height | Dome CC | Compression | Gram Weight | Part #  | Rings Included |
| <b>Dish Top Turbo/Nitrous</b>                                |              |         |             |             |         |                |
| 3.248 / 82.50                                                | 1.200        | -20.6   | 9.70        | 289         | 3820001 | 1215303248     |
| 3.268 / 83.00                                                | 1.200        | -13.3   | 11.00       | TBD         | 3820020 | 1212303268     |
| <b>Dish Top</b>                                              |              |         |             |             |         |                |
| 3.268 / 83.00                                                | 1.200        | -13.2   | 11.00       | 282         | 3820101 | 1012283268     |

## VW VR6 2.8L 12 valve

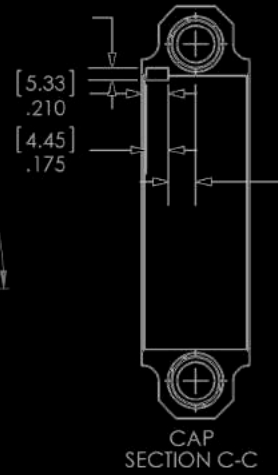
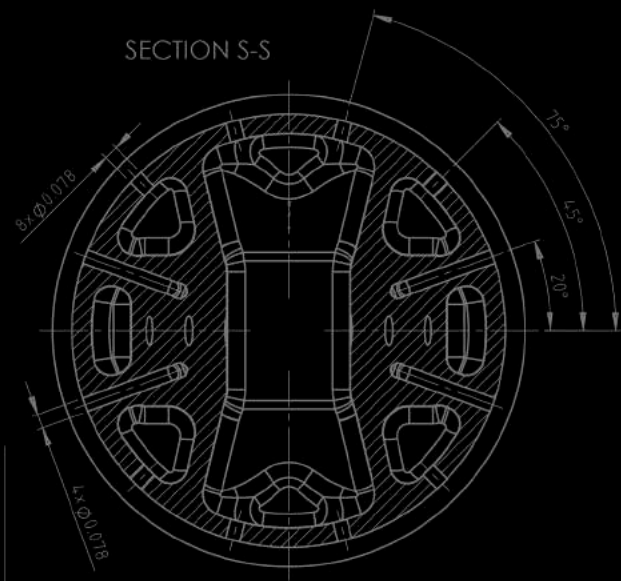
| <b>Stock Bore: 3.189/81 * Stroke: 3.552 * Rod: 6.457 *</b> |              |         |             |             |         |                |
|------------------------------------------------------------|--------------|---------|-------------|-------------|---------|----------------|
| <b>Chamber cc: 27 PIN 787X2350</b>                         |              |         |             |             |         |                |
| Bore: Inch/mm                                              | Comp. Height | Dome CC | Compression | Gram Weight | Part #  | Rings Included |
| <b>Dish Top Turbo/Nitrous</b>                              |              |         |             |             |         |                |
| 3.2283 / 82.00                                             | 1.275        | -27.0   | 9.00        | 326         | 3820202 | 1212303228     |
| 3.248 / 82.50                                              | 1.275        | -19.0   | 9.40        | 337         | 3820301 | 1212303248     |
| <b>Dish Top</b>                                            |              |         |             |             |         |                |
| 3.228 / 82.00                                              | 1.275        | -7.3    | 11.65       | TBD         | 3820400 | 1012283228     |
| 3.248 / 82.50                                              | 1.275        | -7.3    | 11.75       | 282         | 3820500 | 1012283248     |



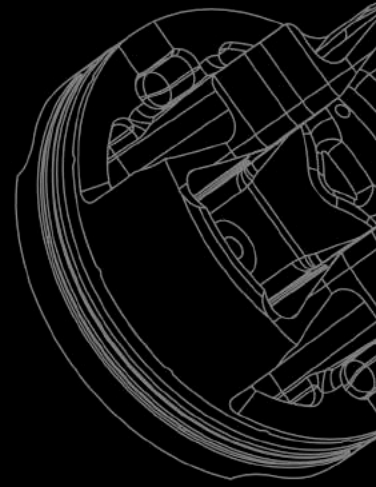
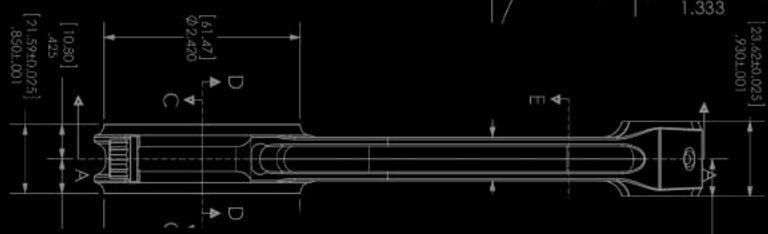
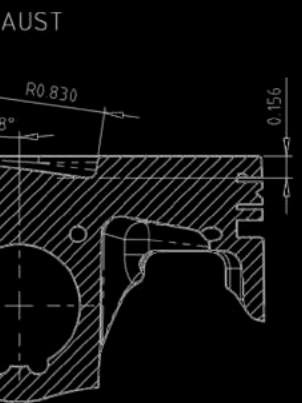
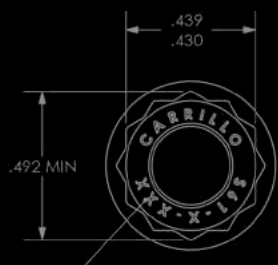
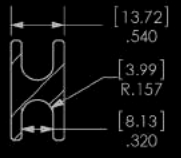
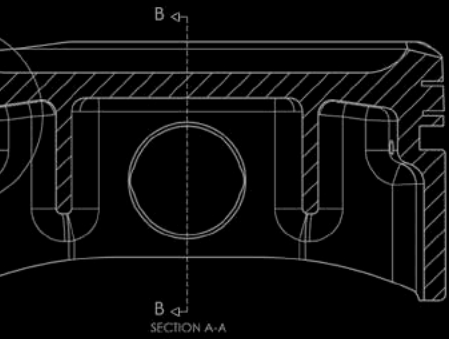
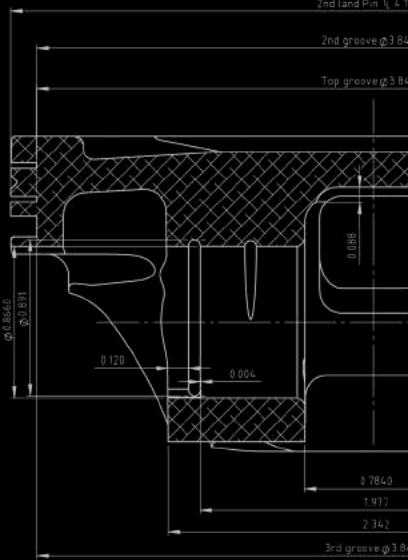
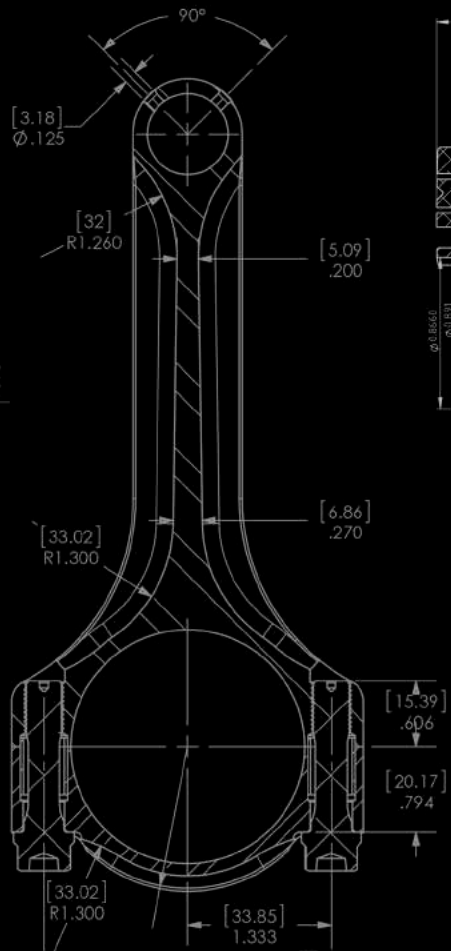
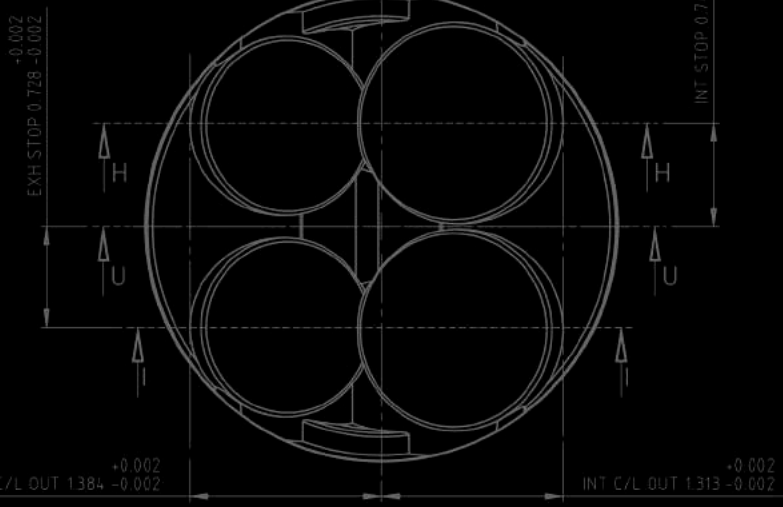
SINCE 1969



SECTION S-S



EXHAUST INTAKE



PROUDLY MADE IN USA



FOLLOW US ON